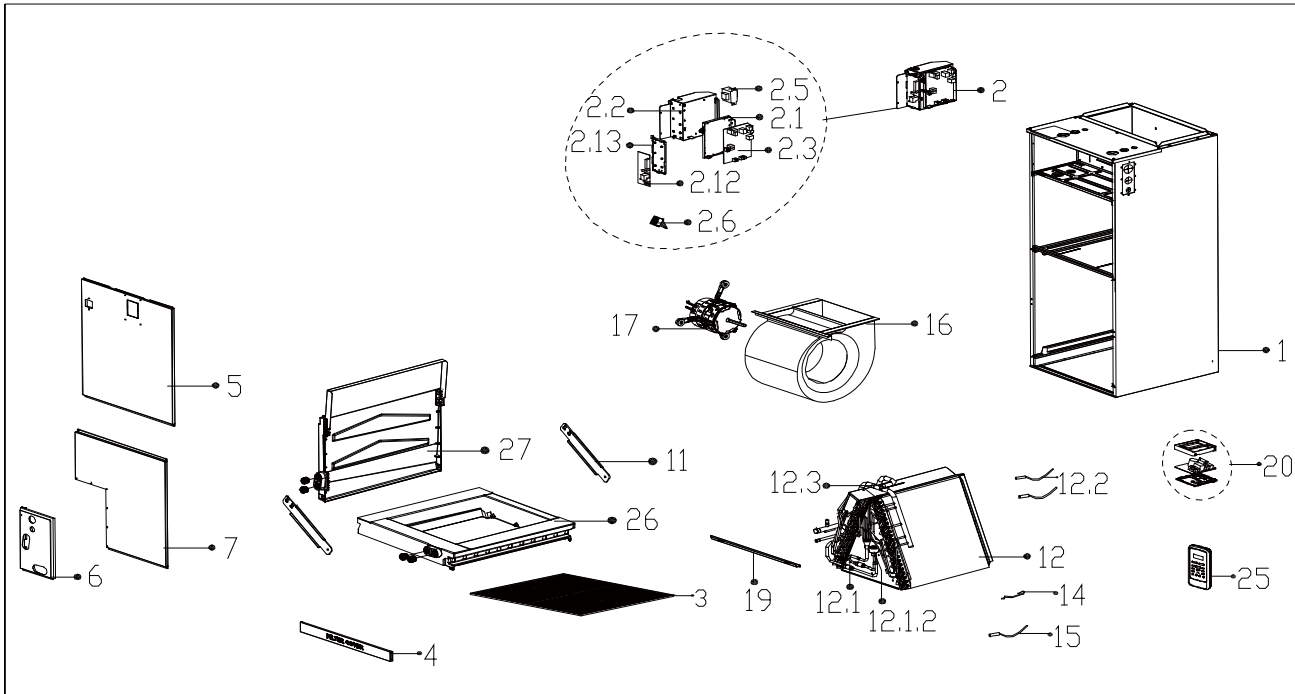


Exploded View

Sale Model:

AHU30-SG2



| No. | Part Name | Quantity | BOM Code | Remark1 | Remark2 |
|--------|--|----------|----------------|---------|---------|
| 1 | Chassis assembly | 1 | 12223100000659 | | |
| 2 | Duct electronic control box subassembly | 1 | 17223000007762 | | |
| 2.1 | Installation plate for main board | 1.0 | 12123000000920 | | |
| 2.2 | E-part box Subassembly | 1.0 | 12223100000631 | | |
| 2.3 | Duct main control board subassembly | 1.0 | 17123000007977 | | |
| 2.5 | Linear Transformer | 1.0 | 11203103000087 | | |
| 2.6 | Wire joint | 1.0 | 17400401000085 | | |
| 2.12 | Data transfer module control board printed board subassembly | 1.0 | 17122000054055 | | |
| 2.13 | Bracket of main control board | 1.0 | 12120300000522 | | |
| 3 | Air filter | 1 | 12223000014171 | | |
| 4 | Dust mesh | 1 | 12223100000652 | | |
| 5 | Upper Cover Plate assembly | 1 | 12223100000667 | | |
| 6 | Clamp for connecting pipe assembly | 1 | 12223100000651 | | |
| 7 | Under Cover Plate assembly | 1 | 12223100000653 | | |
| 11 | Bracket for Water collector | 2 | 12223100000663 | | |
| 12 | Evaporator assembly | 1 | 15823100000523 | | |
| 12.1 | Evaporator inlet pipe subassembly | 1.0 | 15123000012631 | | |
| 12.1.2 | Electronic expansion valve body | 1.0 | 15500213000265 | | |
| 12.2 | T2 Pipe Temperature Sensor | 1.0 | 11201007003437 | | |
| 12.2 | T2A、T2B Pipe temperature sensor | 1.0 | 11201007004863 | | |
| 12.3 | Evaporator output tube assembly (aluminum tube) | 1.0 | 15223000000288 | | |
| 15 | Room Temperature Sensor | 1 | 11201007004864 | | |
| 16 | centrifuge fan assembly | 1 | 12200101000253 | | |
| 17 | Brushless DC Motor | 1 | 11002015013970 | | |
| 19 | Clamp for Cover Plate assembly | 1 | 12223100000657 | | |
| 20 | Wired controller | 1 | 17317100006115 | | |
| 25 | Remote controller | 1 | 17317000A62645 | | |
| 26 | Main Water collector assembly | 1 | 12123100000024 | | |
| 27 | Deputy Water collector assembly | 1 | 12123100000028 | | |