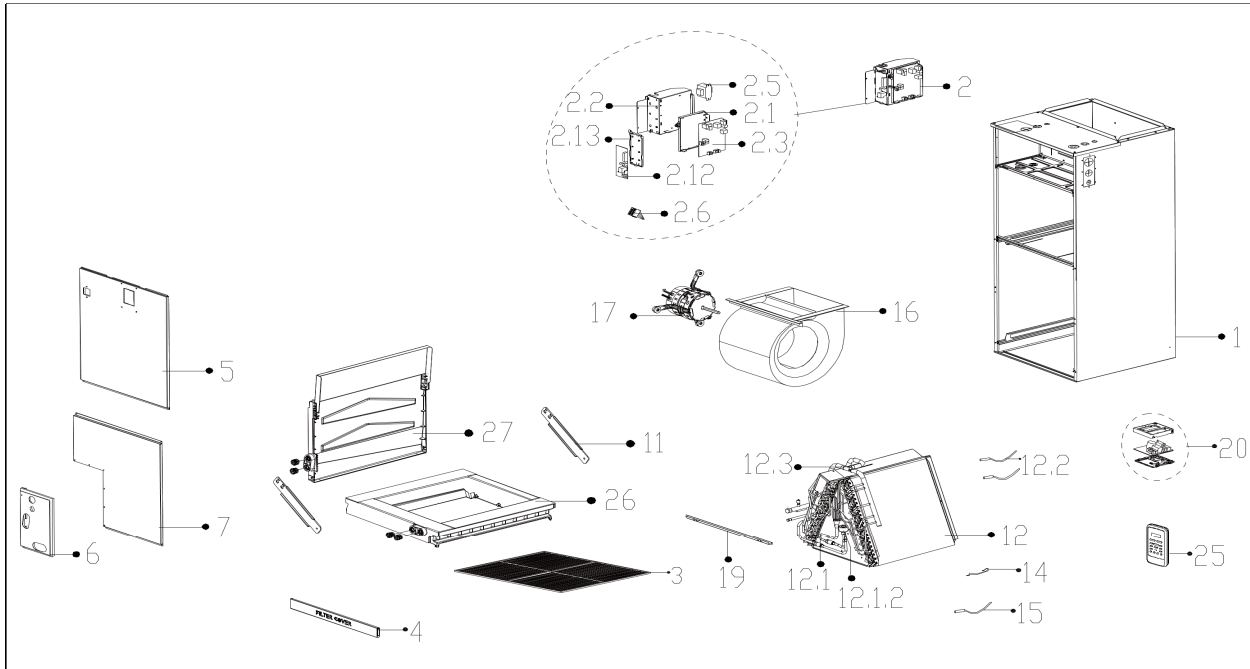


Exploded View

Sale Model:

AHU60-SG2



No.	Part Name	Quantity	BOM Code	Remark1
1	Chassis assembly	1	12223100000655	
2	Duct electronic control box subassembly	1	17223000007763	
2.1	Installation plate for main board	1	12123000000920	
2.2	E-part box Subassembly	1	12223100000631	
2.3	Duct main control board subassembly	1	17123000007980	
2.5	Linear Transformer	1	11203103000087	
2.6	Wire joint	1	17400401000085	
2.12	Data transfer module control board printed board subassembly	1	17122000055387	
2.13	Bracket of main control board	1	12120300000522	
3	Air filter	1	12223000014172	
4	Dust mesh	1	12223100000660	
5	Upper Cover Plate assembly	1	12223100000670	
6	Clamp for connecting pipe assembly	1	12223100000711	
7	Under Cover Plate assembly	1	12223100000658	
11	Bracket for Water collector	1	12223100000663	
12	Evaporator assembly	1	15823100000603	
12.1	Evaporator inlet pipe subassembly	1	15123000012967	
12.1.2	Electronic expansion valve	1	15500213000245	
12.2	Pipe temperature sensor	1	11201007004863	
12.2	Pipe Temperature Sensor	1	11201007003437	
12.3	Evaporator outlet pipe subassembly	1	15123000012868	
15	Room Temperature Sensor	1	11201007004864	
16	Fan assembly	1	12200101000007	
17	Brushless DC Motor	1	11002015015863	
19	Clamp for Cover Plate assembly	1	12223100000668	
20	Wired controller	1	17317100006495	
25	Remote controller	1	17317000A63487	
26	Main Water collector assembly	1	12123100000027	
27	Deputy Water collector assembly	1	12123100000023	
28	Bracket for Water collector	1	12223100000632	