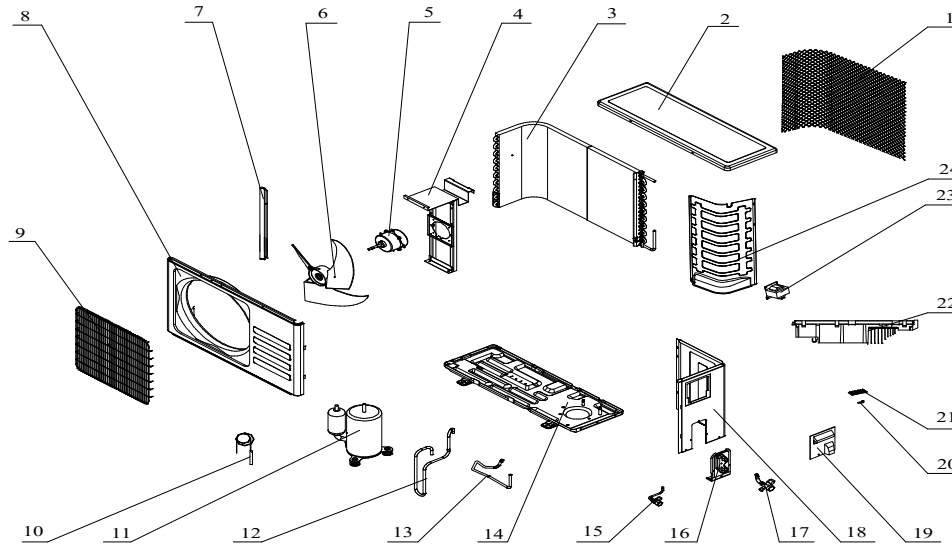


ComfortStar Model Number: CBS12CD(O)

ComfortStar®

Power Supply: 208-230V/1Ph/60HZ



| No. | Part Name | Quantity | PART# | Remark |
|-----|--|----------|--------------|-----------------------------|
| 1 | Back Grille | 1 | 1071990039 | Optional |
| 2 | Top Cover | 1 | 210800539 | |
| 3 | Condenser | 1 | 214100054D | |
| 4 | Outdoor Motor Supporter | 1 | 1080050004 | |
| 5 | Outdoor Motor | 1 | 1170040064D | |
| 6 | Propeller Fan | 1 | 1070030060 | |
| 7 | Left grille supporter | 1 | 1080050001 | |
| 8 | Front Plate | 1 | 210800537 | |
| 9 | Fan Guard | 1 | 210754635 | |
| 10 | Capillary Assembly | 1 | 211242313 | |
| 11 | Compressor | 1 | 211237364 | |
| 12 | Discharge Pipe | 1 | 211238546 | |
| 13 | Suction Pipe | 1 | 211238547 | |
| 14 | Base | 1 | 210800545 | |
| 15 | Two-way Valve | 1 | 1120120021 | |
| 16 | Valve Supporter | 1 | 1080050003 | |
| 17 | Three-way Valve | 1 | 211206766 | |
| 18 | Right Plate | 1 | 210800541 | |
| 19 | Electrical Box Cover | 1 | 1070350971 | |
| 20 | Cable clamp | 1 | 1070040008 | |
| 21 | Terminal | 1 | 1170200061 | |
| 22 | Outdoor PCB Assembly | 1 | 210901774D | |
| 23 | Inductor | 1 | 210901769 | |
| 24 | Partition plate | 1 | 1080050119 | |
| 25 | Pipe Temp. sensor and outdoor Temp. sensor | 1 | 1170230007E | Not shown in Explosion view |
| 26 | Discharge Temp. sensor | 1 | 1170230006A | |
| 27 | Base carton | 1 | 211372014 | |
| 28 | Base Foaming | 1 | 211371806 | |
| 29 | Cabinet Carton | 1 | 211372013ABN | |
| 30 | Cover Forming | 1 | 211308588 | |