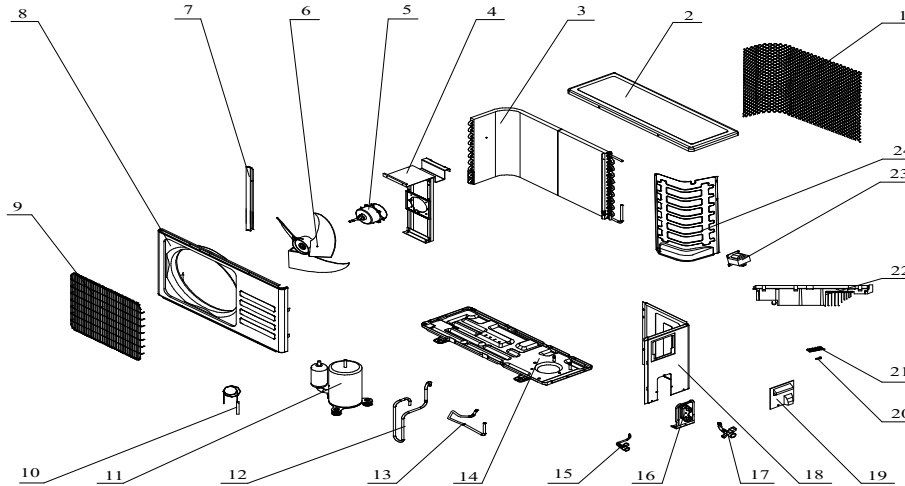


Power Supply: 208-230V/1Ph/60HZ



No.	Part Name	Quantity	PART#	Remark
1	Back Grille	1	1071990040	Optional
2	Top Cover	1	1080050011	
3	Condenser	1	211239494B	
4	Outdoor Motor Supporter	1	1080050004	
5	Outdoor Motor	1	1170040064D	
6	Propeller Fan	1	1070030050AA	
7	Left grille supporter	1	1080050001	
8	Front Plate	1	210800275	
9	Fan Guard	1	1070251931	
10	Capillary Assembly	1	211204893	
11	Compressor	1	211237212	
12	Discharge Pipe	1	211239381	
13	Suction Pipe	1	211239383	
14	Base	1	210837795A	
15	Two-way Valve	1	1120120021	
16	Valve Supporter	1	1080050003	
17	Three-way Valve	1	1120130085	
18	Right Plate	1	1080050002	
19	Electrical Box Cover	1	1070350971	
20	Cable clamp	1	1070040003	
21	Terminal	1	1170200055	
22	Outdoor PCB Assembly	1	210901719B	
23	Inductor	1	1170190004	
24	Partition plate	1	1080050120	
25	Pipe Temp. sensor and outdoor Temp. sensor	1	1170230007E	Not shown in Explosion view
26	Discharge Temp. sensor	1	1170230006A	
27	Base carton	1	211373673	
28	Base Forming	2	1150300003	
29	Cabinet Carton	1	1190040087EWJ	
30	Cover Forming	1	211301929	