

Sale Model:

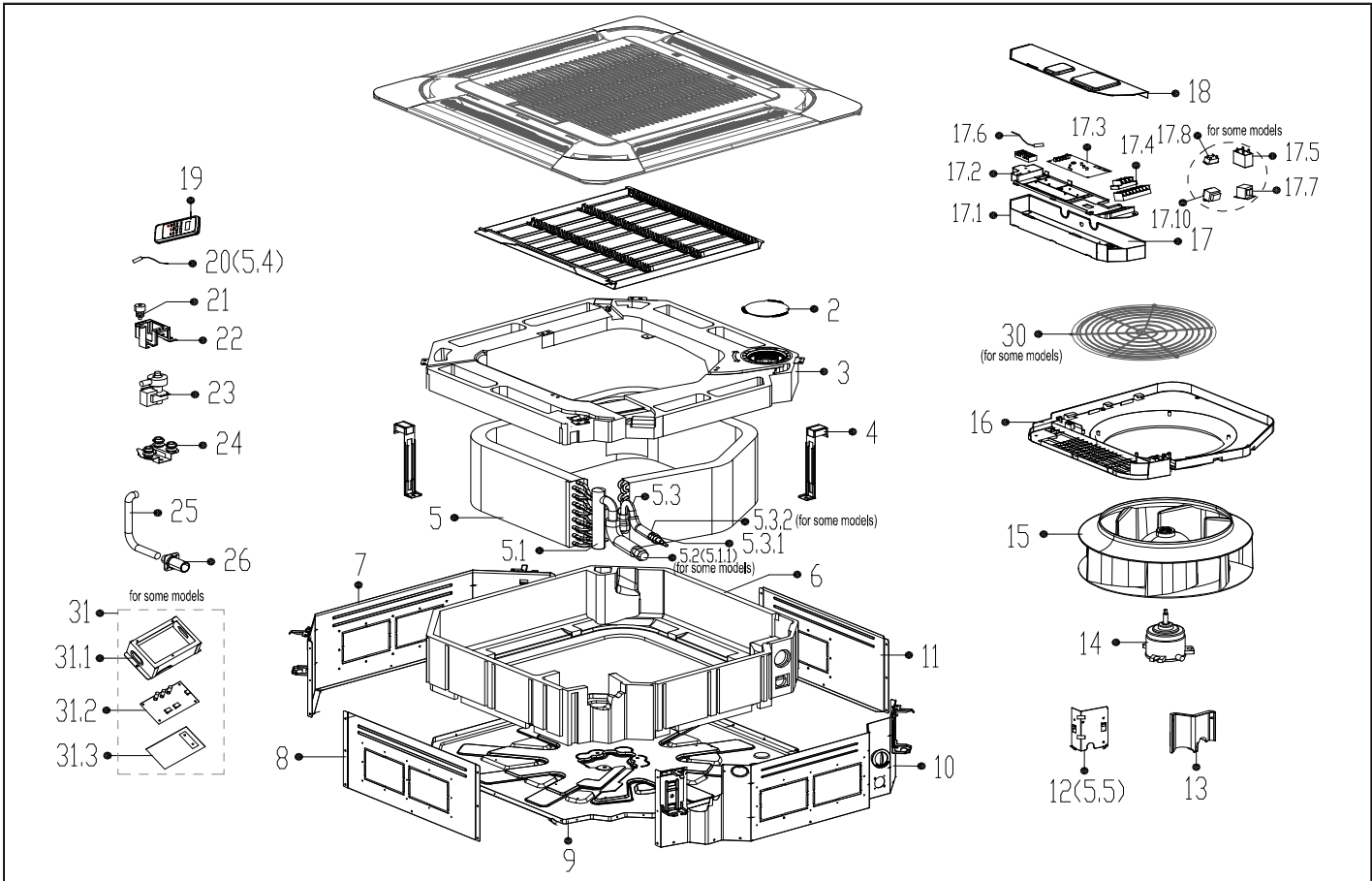
CCT36-24-SA

Power Supply:

220_230V_1Ph,FREQUENCY_60HZ

Export Time:

2016-06-25 10:00:42



No.	Part Name	Quantity	BOM Code
2	Water Tightness Testing Cover Subasser	1.0	12122500000025
3	Water receiver foam subassembly	1.0	12822500000059
4	Evaporator Fixing hanger	2.0	12222500000092
5	Evaporator assembly	1.0	15822500000621
5.1	Outlet Pipes of Evaporator	1.0	15122500000243
5.2	Copper nut	1.0	15500406000008
5.3	Input pipes of Evaporator assembly	1.0	15122500000366
5.3.2	Throttling valve	1.0	15500210000078
6	Chassis Foam Subassembly	1.0	12822500000015
7	Boarding Subassembly	1.0	12222500000144
8	Boarding	1.0	12222500000230
9	Chassis Welding Parts	1.0	12222500000120
10	Boarding Subassembly	1.0	12222500000137
11	Boarding	1.0	12222500000241
12	Evaporator Intermediate Plate Subassem	1.0	12222500000105
13	Sealing board for Pipe Tie-in Subassemb	1.0	12122500000331
14	Single-phase Asynchronous Motor	1.0	11002012002957

15	Centrifugal Fan SL	1.0	12100103000096
16	Air Guide Coil	1.0	12122500000420
17	Electronic control box assembly	1.0	17222500001201
17.1	Electrical Control Box	1.0	12222500000119
17.2	Wiring baseplate	1.0	12122500000029
17.3	Main control board assembly	1.0	17122500001473
17.4	Wire holder	1.0	17400401000068
17.5	Capacitor	1.0	17400101000056
17.6	Room Temperature Sensor	1.0	11201007000283
17.10	Power Transformer	1.0	11203103000160
18	Electrical Control Box Cover Subassembl	1.0	12222500000162
19	Remote controller	1.0	17317000000145
20	Temperature Sensor	1.0	11201007000006
21	Water Level Sensor	1.0	11201005000006
23	Water Pump Subassembly	1.0	17400802000012
24	Pump rubber washer	3.0	12622500000006
25	Drain pipeExtended water pipe	1.0	12622500000013
26	Drainpipe connector pipe	1.0	12100509000068