

Sale Model:

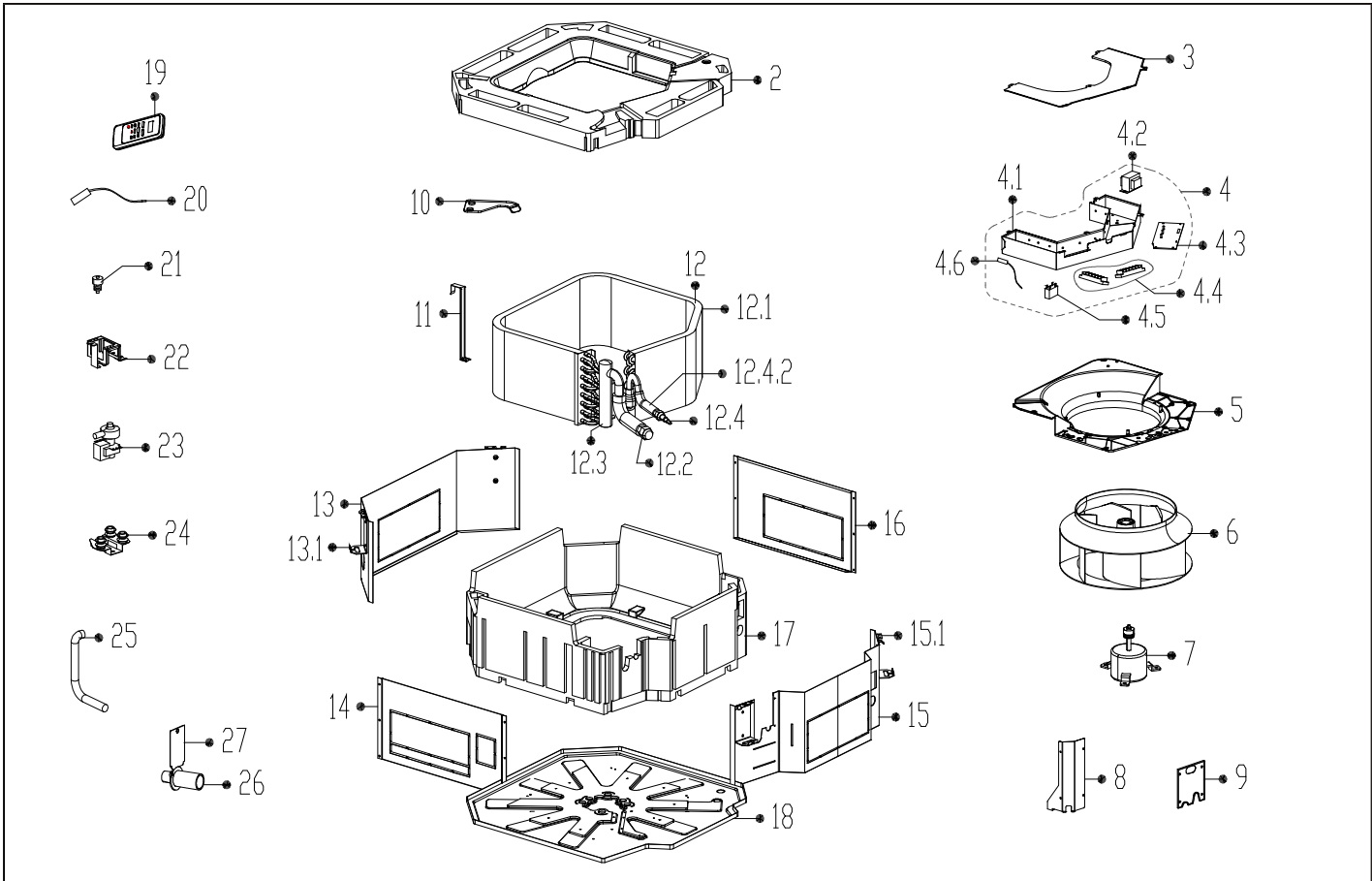
CCT60-24-SA

Power Supply:

220-230V~ 60Hz 1Phase

Export Time:

2016-06-25 10:00:33



No.	Part Name	Quantity	BOM Code
2	Water receiver foam subassembly	1.0	1282250000069
3	E-Part box cover	1.0	12222500000207
4	E-Parts Box Subassembly of Indoor Unit	1.0	17222500000013
4.1	Welding Parts of Electrical Control Box	1.0	12222500000161
4.2	Power Transformer	1.0	11203103000065
4.2	Power Transformer	1.0	11203103000055
4.3	Indoor Main Control Board Subassembly	1.0	17122500000456
4.4	terminal block,6p	1.0	17400401000060
4.4	Middle four digit connector	1.0	17400401000043
4.5	Capacitor	1.0	17400101000040
5	Ring ass'y	1.0	12122500000261
6	Fan Wheel Assembly SL	1.0	12100103000038
7	Single-phase Asynchronous Motor	1.0	11002012000548
8	Evaporator connection board	1.0	12222500000100
9	Sealing board for Pipe Tie-in Subassemb	1.0	12122500000329
10	Water tray hook	1.0	12222500000189
11	Evaporator Fixing hanger	3.0	12222500000090

12	Evaporator assembly Gas valve assembly	1.0	15822500000131
12.1	Evaporator	1.0	15822500000166
12.2	Copper nut	1.0	15500406000008
12.3	Outlet Pipes of Evaporator	1.0	15122500000223
12.4	Input pipes of Evaporator assembly	1.0	15422500000007
12.4.2	Throttling valve	1.0	15500210000296
13	Boarding Subassembly	1.0	12222500000153
13.1	Installation hanger	2.0	P0001498036
14	Boarding Subassembly	1.0	12222500000130
15	Boarding Subassembly	1.0	12222500000149
15.1	Installation hanger	2.0	P0001498036
16	Boarding Subassembly	1.0	12222500000136
17	Foam ass'y	1.0	12822500000008
18	Chassis Welding Parts	1.0	12222500000121
19	Remote controller	1.0	17317000000431
20	Temperature Sensor	1.0	11201007000245
21	Water Level Sensor	1.0	11201005000006
24	Pump rubber washer	3.0	12622500000006
25	Drain pipeExtended water pipe	1.0	12622500000013
26	Drainpipe connector pipe	1.0	12100509000068
27	Water cover ass'y	1.0	12222500000067
41	Accessory kit-Drain pipe Subassembly	1.0	12011600000017