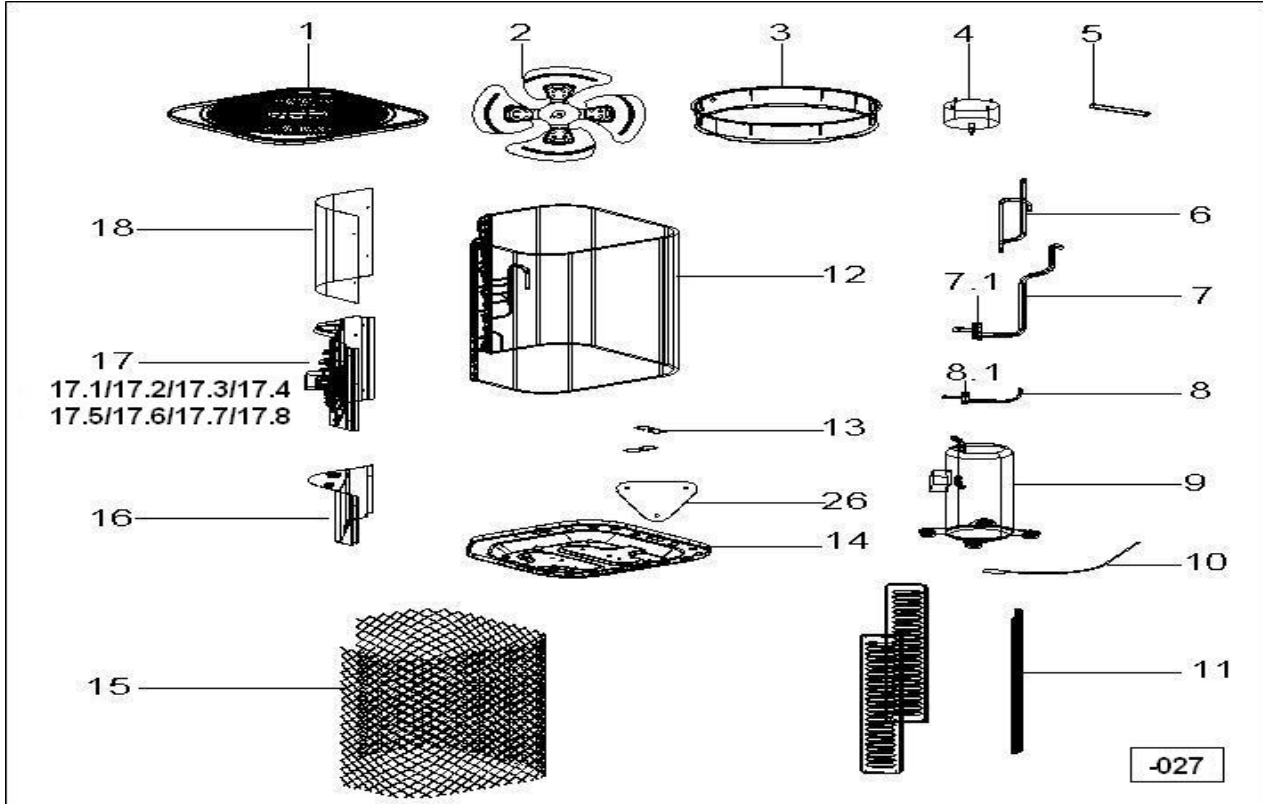


Sale Model: CCU36-410-SA

Power Supply: 220-230V~ 60Hz 1Phase

Export Time: 2016-07-07 18:22:29



No.	Part Name	Quantity	BOM Code	Price	Remark
1	Top cover assembly	1	12223100000292	8.47	
2	Axial flow fan	1	12200104000001	9.24	
3	Ventilation ring	1	12123000000224	2.31	
4	Asynchronous motor	1	11002012000569	30.75	
5	Wire guide pipe	1	12123000000250	0.24	
6	Discharge pipe	1	15123100000094	2.98	
7	Gas valve assembly	1	15423000001201	11.14	
7.1	Valve body	1	15500206000003	7.96	
8	Liquid valve assembly	1	15423000001135	4.33	
8.1	Valve body	1	15500206000009	4.06	
9	Compressor	1	11103010000069	153.44	
10	Compressor wire assembly	1	17401203000876	3.40	
11	Supporting board	3	12223100000013	1.53	
12	Condenser assembly	1	15823000000804	46.60	
13	Non-slip pads I	2	12600401000019	0.05	
14	Chassis assembly	1	12223100000082	9.68	
15	Rear net	1	12123000000193	0.95	
16	Underside board assembly	1	12223100000280	2.22	
17	Electronic control box assembly	1	17223100000063	41.77	
17.1	Installation plate of electric parts	1	12223100000014	1.35	
17.2	Main control board assembly	1	17123000000687	6.31	
17.3	AC contactor	1	11203502000006	18.54	
17.4	Transformer	1	11203103000200	1.76	
17.5	Wire joint	1	17400401000012	0.15	
17.5	Wire joint	1	17400401000020	0.37	
17.5	Wire joint	1	17400401000056	0.36	
17.6	Capacitor	1	17400101000026	0.95	

17.7	Installation plate of electric parts	1	12223100000103	4.86
17.8	Capacitor	1	17400103000033	3.84
18	Side board	1	12223100000222	3.06
26	Compressor supporter	1	12223100000108	1.82