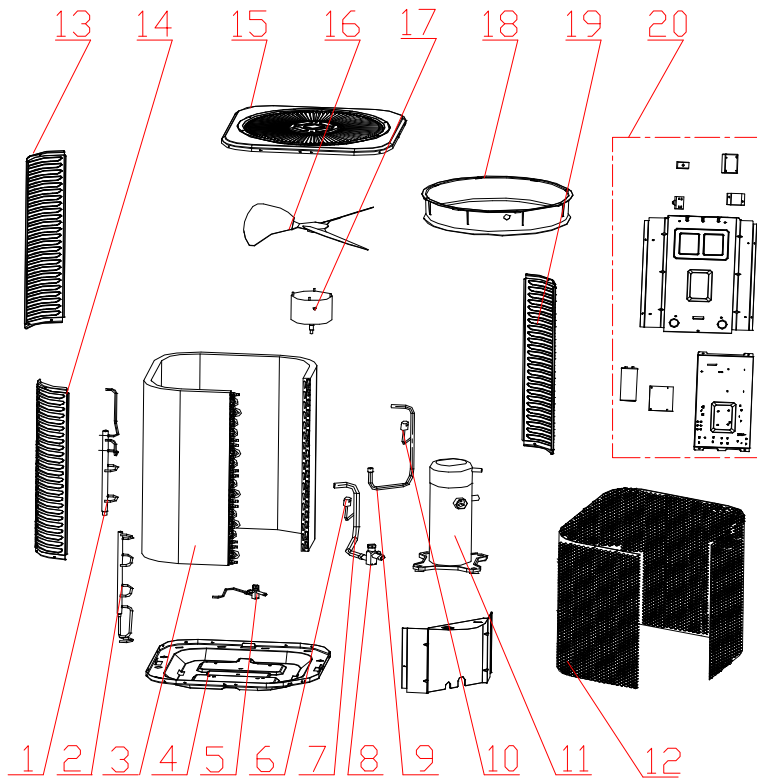


ComfortStar Model Number: CCU60-410-3-T

Power Supply: 220V/3Ph/60Hz



| No. | Code | Part Name | Q'ty |
|------|------------|--------------------------|------|
| 1 | 231231837 | Input pipe of condenser | 1 |
| 2 | 231231838 | Output pipe of condenser | 1 |
| 3 | 231231860 | Condenser | 1 |
| 4 | 230801709A | Base | 1 |
| 5 | 231231469 | Two-way Valve | 1 |
| 6 | 230905135 | Low pressure switch | 1 |
| 7 | 231231901 | Suction pipe | 1 |
| 8 | 231231468 | Three-way Valve | 1 |
| 9 | 231232777 | Discharge pipe | 1 |
| 10 | 230904929 | Discharge temp sensor | 1 |
| 11 | 231231825 | Compressor | 1 |
| 12 | 230700861 | Filter | 1 |
| 13 | 230801609A | Support plate | 1 |
| 14 | 230801609A | Support plate | 1 |
| 15 | 230801608A | Top Cover | 1 |
| 16 | 230801635 | Propeller Fan | 1 |
| 17 | 230901098 | Outdoor Motor | 1 |
| 18 | 230700850 | Wind circle | 1 |
| 19 | 230801609A | Support plate | 1 |
| 20-1 | 230905137 | High pressure switch | 1 |
| 20-2 | 230904919 | Fan capacitor | 1 |
| 20-3 | 230901188 | Outdoor PCB | 1 |

| | | | |
|------|-----------|------------------|---|
| 20-4 | 230905006 | Outdoor terminal | 1 |
| 20-5 | 230904656 | A.C contactor | 1 |