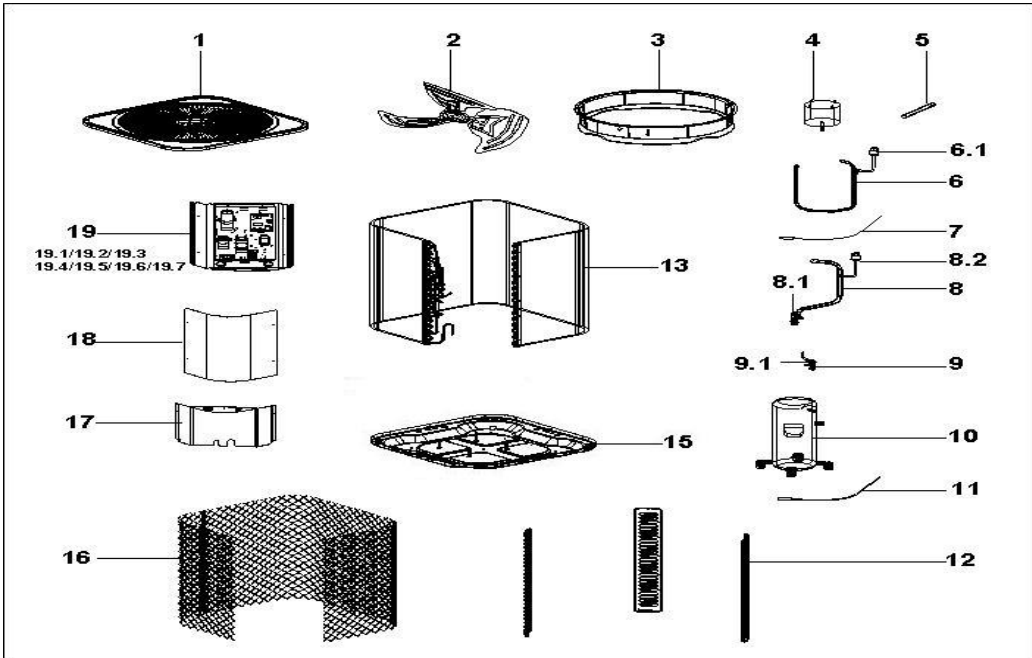


Sale Model: CCU60-410-SA

Power Supply: 220-230V~ 60Hz 1Phase

Export Time: 2016-07-07 18:22:25



No.	Part Name	Quantity	BOM Code	Price	Remark
1	Top cover assembly	1	12223100000293	13.01	
2	Axial flow fan	1	12200104000003	13.11	
3	Ventilation ring	1	12123000000246	3.64	
4	Asynchronous motor	1	11002012004354	27.82	
5	Wire guide pipe	1	12123000000252	0.33	
6	Discharge pipe assembly	1	15123100000098	4.95	
6.1	Pressure switch	1	17400516000007	2.52	
7	Discharge temperature sensor	1	17400513000004	1.44	
8	Gas valve assembly	1	15423100000012	13.43	
8.1	Valve body	1	15500206000003	7.96	
8.2	Pressure switch	1	17400516000008	2.51	
9	Liquid valve assembly	1	15423000001135	4.33	
9.1	Valve body	1	15500206000009	4.06	
10	Compressor	1	11102010000324	298.41	
11	Compressor wire assembly	1	17401203000754	3.66	
12	Supporting board	3	12223100000010	1.74	
12	Supporting board	1	12223100000053	3.77	
13	Condenser assembly	1	15823100000184	57.00	
15	Chassis assembly	1	12223100000307	11.86	
16	Rear net	1	12123100000002	1.31	
17	Underside board assembly	1	12223100000168	3.03	
18	Side board	1	12223100000222	3.06	
19	Electronic control box assembly	1	17223100000059	41.69	
19.1	Installation plate of electric parts	1	12223100000170	0.92	
19.2	Installation plate of electric parts	1	12223100000101	4.01	
19.3	AC contactor	1	11203502000006	18.54	
19.4	Wire joint	1	17400401000012	0.15	
19.4	Wire joint	1	17400401000020	0.37	
19.4	Wire joint	1	17400401000056	0.36	
19.5	Capacitor	1	17400101000052	1.52	
19.5	Capacitor	1	17400103000033	3.84	
19.6	Main control board assembly	1	17123000000687	6.31	
19.7	Transformer	1	11203103000200	1.76	