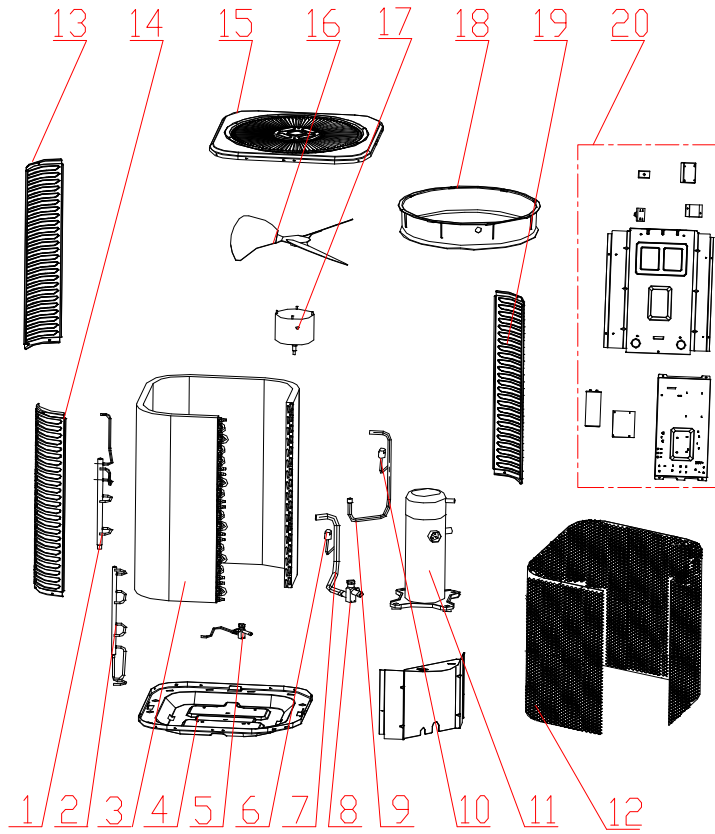


ComfortStar Model Number: CCU60-410-T

Power Supply: 208-230V/1Ph/60Hz

ComfortStar®



No.	Code	Part Name	Q'ty
1	231231837	Input pipe of condenser	1
2	231231838	Output pipe of condenser	1
3	231231860	Condenser	1
4	230801709A	Base	1
5	231231469	Two-way Valve	1
6	230905135	Low pressure switch	1
7	231231901	Suction pipe	1
8	231231468	Three-way Valve	1
9	231232777	Discharge pipe	1
10	230904929	Discharge temp sensor	1
11	231241874	Compressor	1
12	230700861	Filter	1
13	230801609A	Support plate	1
14	230801609A	Support plate	1
15	230801608A	Top Cover	1
16	230801635	Propeller Fan	1
17	230901098	Outdoor Motor	1
18	230700850	Wind circle	1
19	230801609A	Support plate	1
20-1	230905137	High pressure switch	1
20-2	230901254	Compressor capacitor	1

20-3	230904919	Fan capacitor	1
20-4	230901189	Outdoor PCB	1
20-5	230901440	Outdoor terminal	1
20-6	230904656	A.C contactor	1