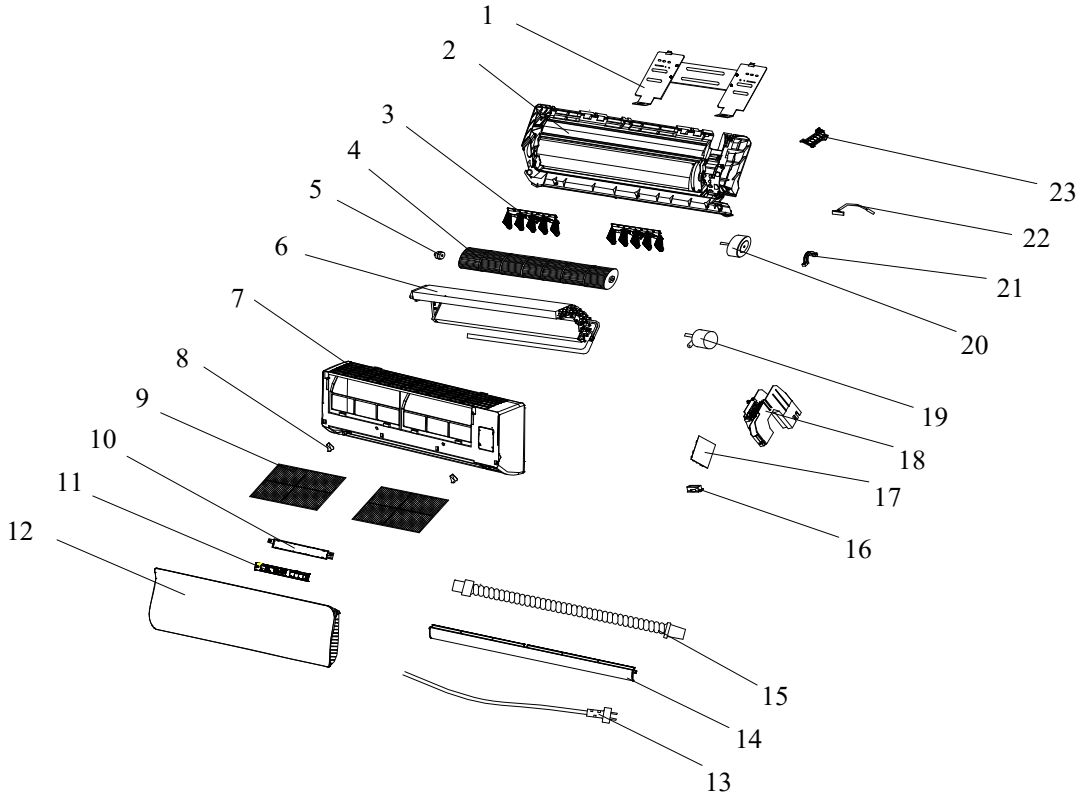


ComfortStar Model Number: CEI12CD(I)
 Power Supply: 208-230V/60Hz/1P

ComfortStar®



No.	Part No.	Part Name	Q'ty
1	1080030021	Installation Plate	1
2	210737661D	Base	1
3	210701880C	Vertical Vane Assembly	2
4	210737666	Cross Fan	1
5	1070100010	Bearing Mount	1
6	211236178G	Evaporator	1
7	210737669	Face Frame	1
8	210701846	Screw Cover	1
9	210703004	Air Filter	2
10	210901127S	Display PCB	1
11	210705767	Display PCB Box	1
12	210702949	Front Panel	1
13	1170120132	Power Supply Cord	1
14	210737671	Vane	1
15	210737091	Drainage Hose	1
16	210736912	Cable Clamp	1
17	210901714AD	Main PCB	1
18	210736831	Electrical Box	1
19	1170020011	Vane Motor	1
20	1170030067G	Indoor Motor	1
21	210737665	Indoor Motor Cover	1
22	210900333	Indoor Sensor Assembly	1
23	210736813	In And Out Pipe Fixer	1
24	210901249M	Remote Controller	1
25	1190540002AJG	Indoor Carton	1
26	211316448	Left Foaming	1
27	211316449	Right Foaming	1

