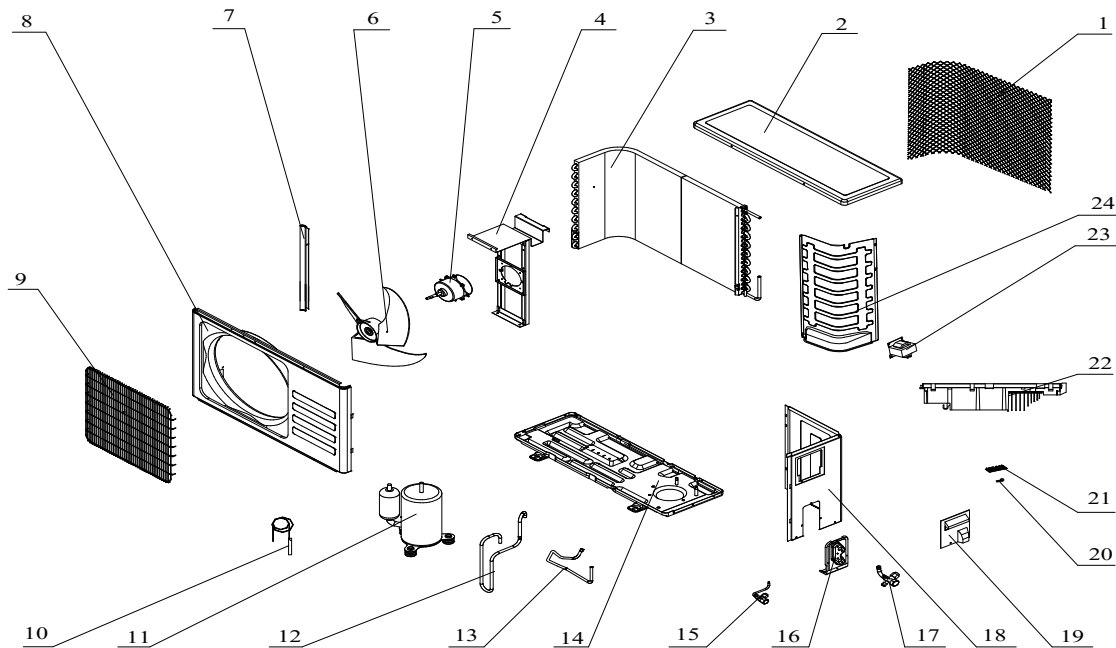


ComfortStar Model Number: CEI24CD(O)
 Power Supply: 208-230V/60Hz/1P

ComfortStar®



| No. | Part No. | Part Name | Q'ty |
|-----|-------------|--|------|
| 1 | 210738714 | Grille | 1 |
| 2 | 210836806 | Top Cover | 1 |
| 3 | 211241798 | Condenser | 1 |
| 4 | 210837834 | Outdoor Motor Supporter | 1 |
| 5 | 210900027AH | Outdoor Motor | 1 |
| 6 | 210738500 | Propeller Fan | 1 |
| 7 | 214161646 | Left Plate | 1 |
| 8 | 210836807B | Front Plate | 1 |
| 9 | 210746891 | Fan Guard | 1 |
| 10 | 211241758 | Capillary Assembly | 1 |
| 11 | 211237212 | Compressor | 1 |
| 12 | 211241250 | Discharge Pipe | 1 |
| 13 | 211241249 | Suction Pipe | 1 |
| 14 | 210837838A | Base | 1 |
| 15 | 1120120021 | Two-way Valve | 1 |
| 16 | 210836832 | Valve Supporter | 1 |
| 17 | 1120130037 | Three-way Valve | 1 |
| 18 | 210836808D | Right Plate | 1 |
| 19 | 210738496 | Electrical Box Cover | 1 |
| 20 | 1070040008 | Cable clamp | 1 |
| 21 | 1170200055 | Terminal | 1 |
| 22 | 210901841U | Outdoor PCB Assembly | 1 |
| 23 | 210902017 | Inductor | 1 |
| 24 | 210837818 | Partition plate | 1 |
| 25 | 1170230027D | Pipe Temp. sensor and outdoor Temp. sensor | 1 |
| 26 | 1170230006E | Discharge Temp. sensor | 1 |
| 27 | 211373042 | Base carton | |
| 29 | 211373043 | Cabinet Carton | 1 |
| 30 | 211372599 | Base Foaming | 1 |
| 31 | 211372600 | Cover Forming | 1 |