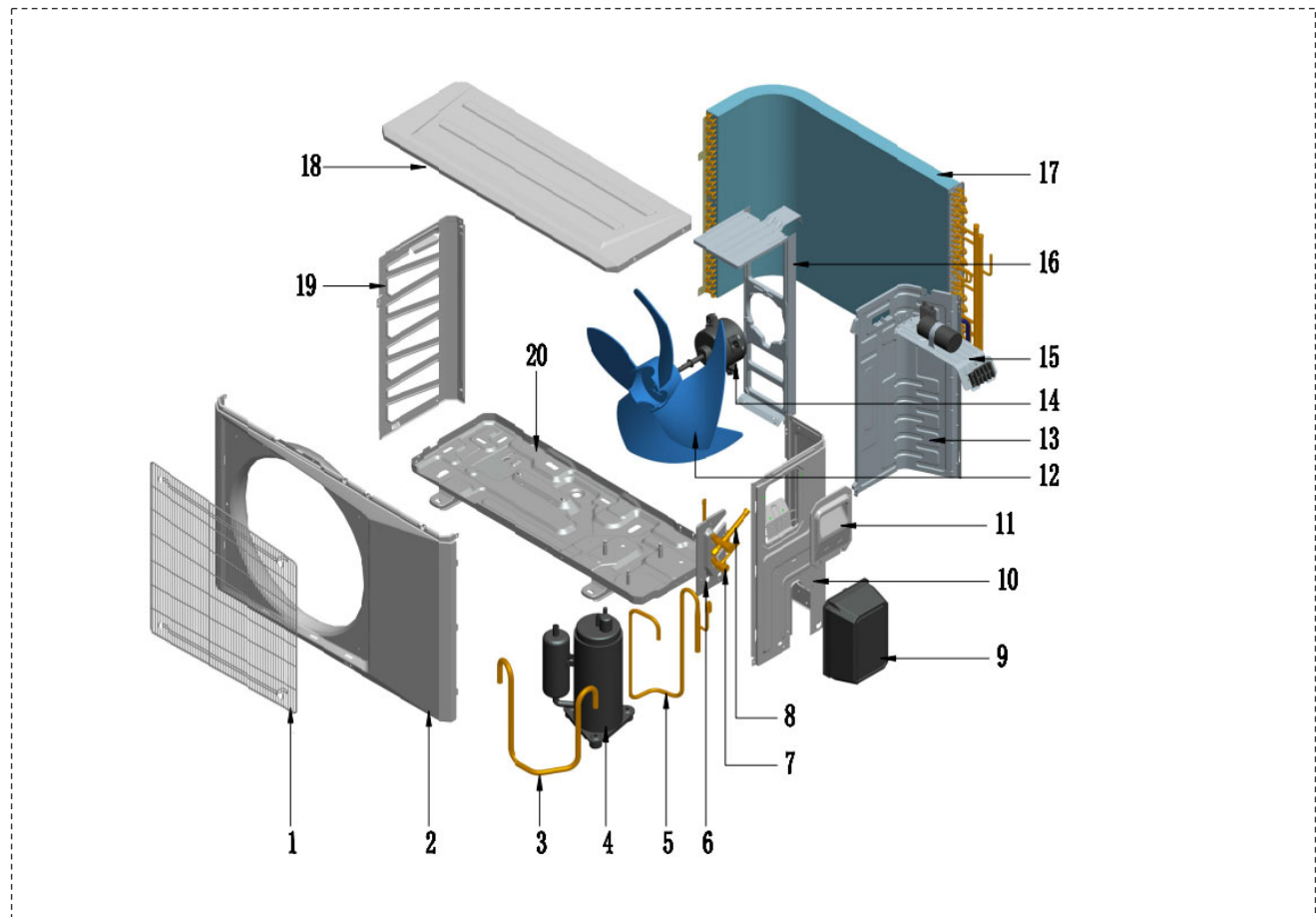
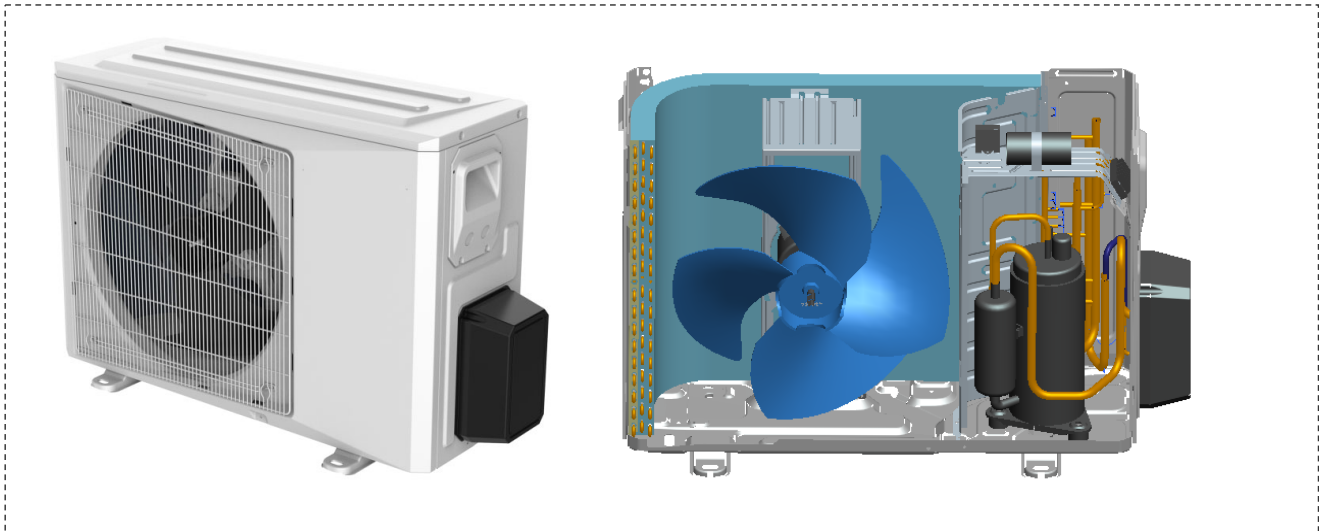
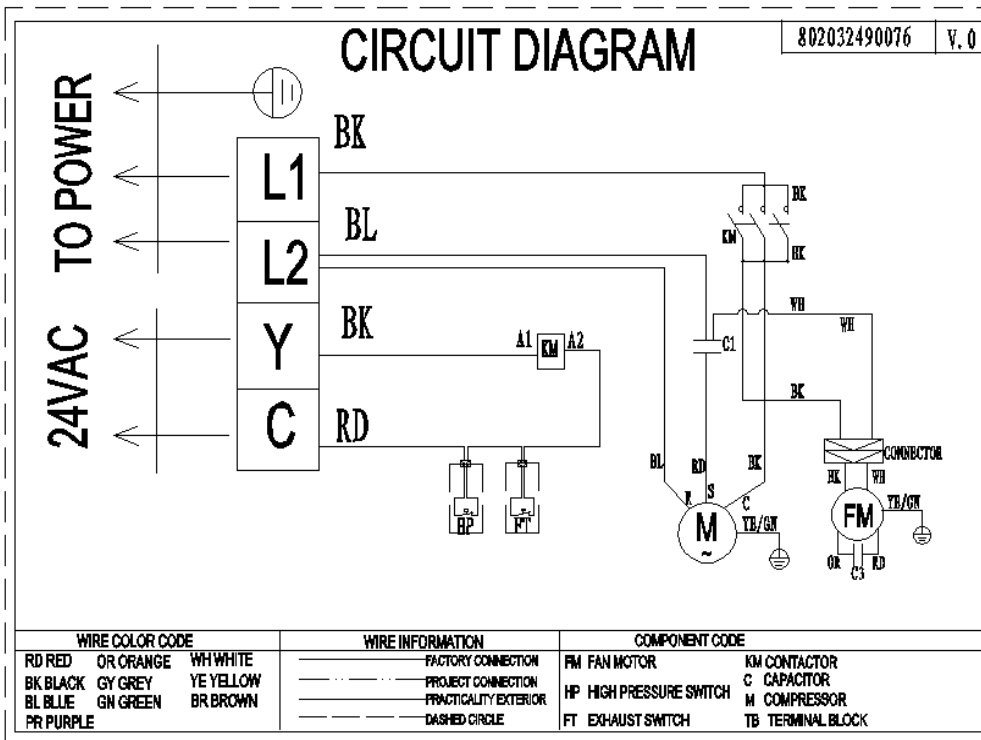


MODEL CHD18CD-14

POWER 220/1/60

ComfortStar®





No.	Part Name	Quantity	Sale code	BOM code	Price(\$)	Remark
1	cover of air outlet(Men	1		802932490001	11.90	
2	Front panel	1		801259000022	12.94	
3	return pipe of compres	1		801632490190	1.99	
4	Compressor	1		801401100049	120.28	
5	Discharge pipe assy	1		801632490187	6.44	
5.1	charge pipe of compres	1		801632490188	2.58	
5.2	Transition tube	1		801632090012	0.46	
5.3	Pressure Switch	1		802300900041	3.20	
6	Valve holder	1		801228200171	0.94	
7	Cut-off valve (DN4)	1		801600200009	4.48	
8	Cut-off valve (DN10)	1		801600200010	6.88	
9	Cover of cut-off valve	1		801128200008	1.12	
10	right rear side panel pa	1		801232490070	5.58	
11	Handle	1		801232490069	1.96	
12	Axial-flow fan blade	1		801100300042	5.94	
13	Separating board	1		801233090029	5.00	
14	Outdoor fan motor	1		802400400779	32.12	
15	Electric control box compor	1		803332490030	42.95	
15.1	Electrical installation boa	1		801232490062	1.79	
15.2	Terminal	1		802401800088	1.56	
15.3	Compressor capacitor	1		802401000034	3.08	
15.4	Fan motor capacitor	1		802401100066	0.56	
15.5	Capacitor clip	1		801200100016	0.12	
15.6	AC contactor	1		802300100250	22.20	
16	Holder of fan motor	1		801233090031	7.79	
17	Condenser parts	1		801532490038	164.72	
18	Top cover parts	1		801232490068	6.05	
19	Left side panel	1		801259000019	3.47	
20	Chassis parts	1		801232490060	16.84	