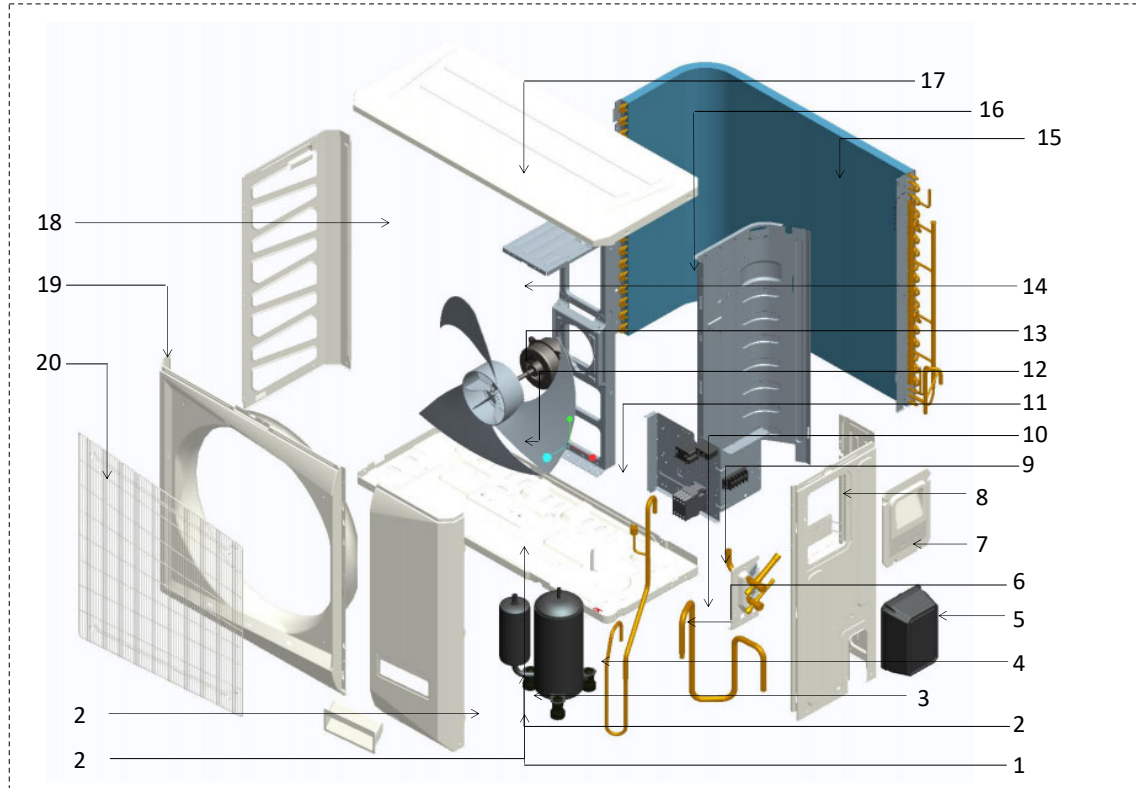
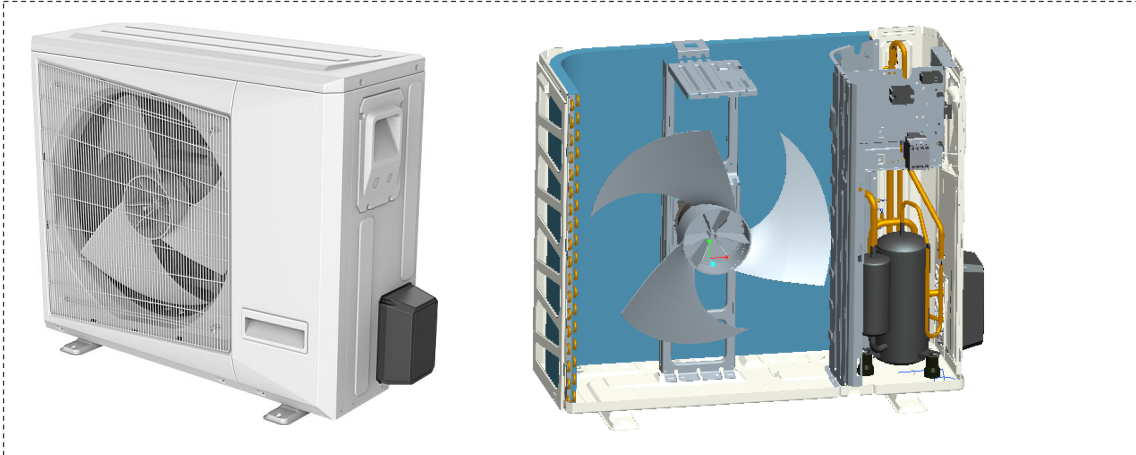
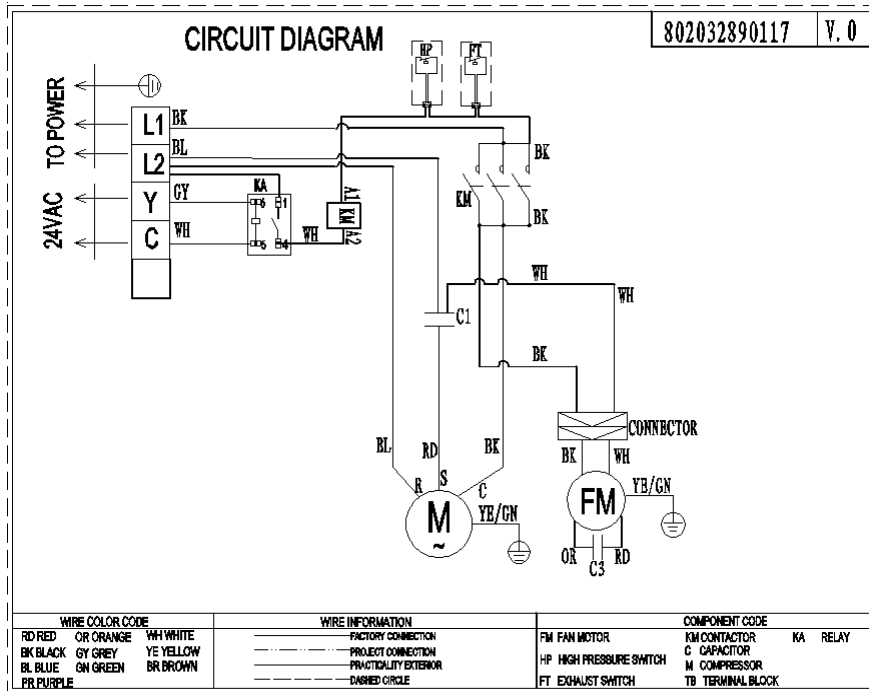


MODEL  
POWER

CHD30CD-14  
220/1/60

# ComfortStar®





No.	Part Name	Quantity	Sale code	BOM code	Price(\$)	Remark
1	Chassis parts	1		801233490158	15.36	
2	Compressor	1		801401100039	159.10	
3	Discharge pipe assy	1		801633090073	7.76	
3.1	Discharge pipe of compressor #1	1		801633090076	1.68	
3.2	Discharge pipe of compressor #2	1		801633090075	2.652	
3.3	Pressure Switch	1		802300900041	3.20	
3.4	Probe Copper Tube	1		801602600197	0.43	
4	Air-return pipe of compressor	1		801633090078	7.79	
5	Cover of cut-off valve	1		801128200008	1.12	
6	Valve holder	1		801228200184	0.94	
7	Handle (Large size)	1		801232890064	2.06	
8	Right rear side panel part	1		801232890065	6.42	
9	Cut-off valve (DN8)	1		801600200014	6.05	
10	Cut-off valve (DN16)	1		801600200012	11.33	
11	Electric control box components	1		803333090009	52.94	
11.1	Electrical installation board	1		801232890059	2.04	
11.2	Relay	1		802300100090	5.72	
11.3	Compressor capacitor	1		802401000032	3.97	
11.4	Fan motor capacitor	1		802401100075	0.79	
11.5	Terminal	1		802401800085	1.87	
11.6	Capacitor clip	1		801200100009	0.19	
11.7	AC contactor	1		802300100251	22.80	
12	Axial-flow fan blade	1		801100300036	7.98	
13	Outdoor fan motor	1		802400400780	36.92	
14	Holder of fan motor	1		801228200145	7.01	
15	Condenser parts	1		801533090019	213.54	
16	Separating board	1		801232890066	3.912	
17	Top cover parts	1		801232890063	9.38	
18	Left side panel	1		801228200177	5.48	
19	Front panel	1		801228200179	11.64	
20	Net cover of air outlet(Mental)	1		802932890001	13.56	
21	Handle (Small size)	1		801132890002	0.54	
22	Right front side panel	1		801228200181	5.56	