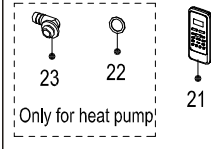


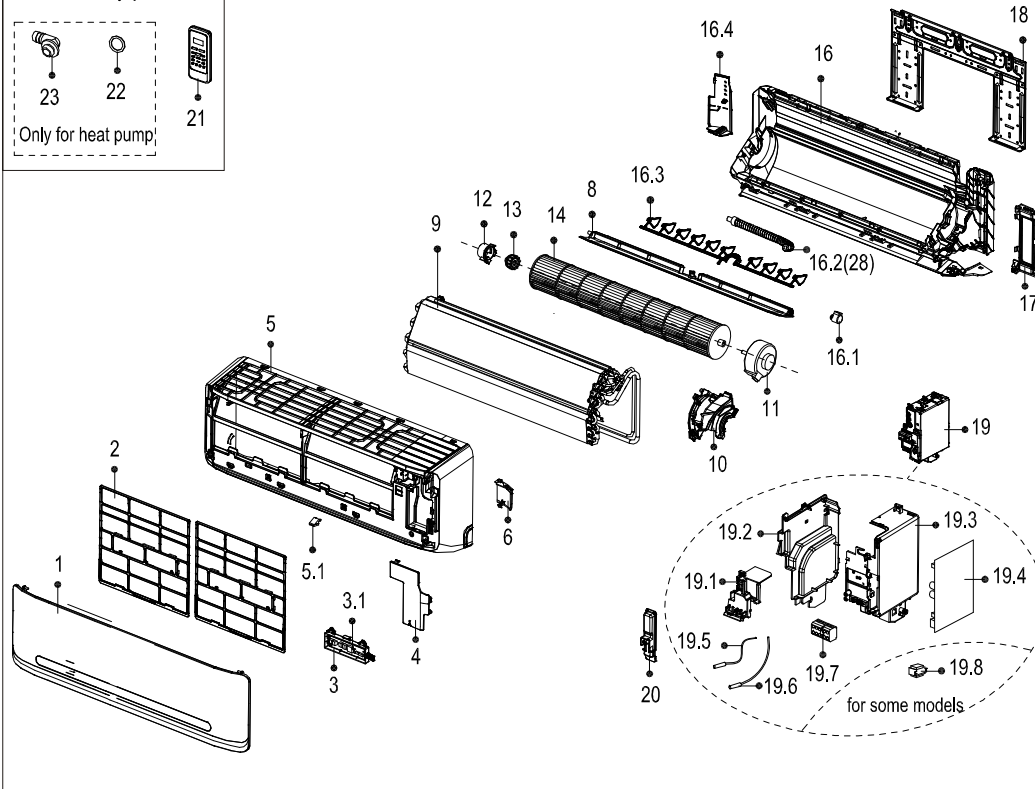
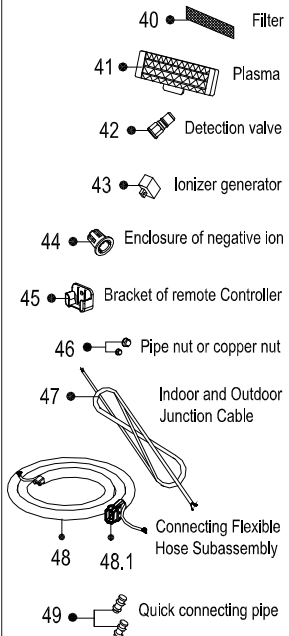
ComfortStar Model Number: CIM12CD(I)

Power Supply: 208-230V/60Hz/1Ph

Accessory part



Optional part



| No. | Part Name | Quantity | PART# |
|------|--|----------|----------------|
| 1 | Panel Assembly | 1 | 12122000001521 |
| 2 | Filter Filter Subassembly | 1 | 12100204000522 |
| 3 | Display Box Subassembly | 1 | 17222000002878 |
| 3.1 | Display Board Subassembly | 1 | 17122000006953 |
| 4 | Cover Of Electrical Equipment | 1 | 12122000006755 |
| 5 | Panel Frame Assembly | 1 | 12122000001726 |
| 5.1 | Screw Cap | 1 | 12122000009477 |
| 6 | Right Cover Plate Of Chassis | 1 | 12122000004587 |
| 8 | Horizontal Louver Assembly | 1 | 12122000005815 |
| 9 | Evaporator Assembly | 1 | 15822000003601 |
| 10 | Fan Motor Cover | 1 | 12122000005540 |
| 11 | Single Phase Asynchronous Motor | 1 | 11002012001871 |
| 12 | Bearing Holder | 1 | 12122000000350 |
| 13 | Bearing Base | 1 | 12622000000006 |
| 14 | Cross Flow Fan | 1 | 12100102000044 |
| 16 | Chassis Assembly | 1 | 12122000011818 |
| 16.1 | Stepper Motor | 1 | 11002010000143 |
| 16.3 | Vertical Vane Subassembly | 1 | 12122000000038 |
| 16.4 | Front Cover Of Chassis(Left) | 1 | 12122000010098 |
| 17 | Pipe Clamp Board | 1 | 12122000012943 |
| 18 | Installation Plate | 1 | 12222000000018 |
| 19 | Electronic Control Box Subassembly (Mid-And Low-End) | 1 | 17222000010948 |
| 19.1 | Electronic Control Box | 1 | 12122000004577 |
| 19.2 | Left Cover Of Electronic Control Box | 1 | 12122000004639 |
| 19.3 | Right Cover Of Electronic Control Box | 1 | 12122000004632 |
| 19.4 | Main Control Board Subassembly | 1 | 17122000020570 |
| 19.5 | Room Temperature Sensor | 1 | 11201007000085 |
| 19.6 | Pipe Temperature Sensor | 1 | 11201007000322 |
| 19.7 | Wire Joint | 1 | 17400401000006 |
| 20 | Cover Of Electronic Control Box | 1 | 12122000005020 |
| 21 | Remote Controller | 1 | 17317000001294 |
| 28 | Drain Hose | 1 | 12100501000032 |
| 40 | Air Fresh Filter | 1 | 12100204000685 |
| 46 | Copper nut for 1/2 Pipe (12.7mm) | 1 | 15500406000012 |
| 46 | Copper nut for 1/4 Pipe (6.35mm) | 1 | 15500406000016 |