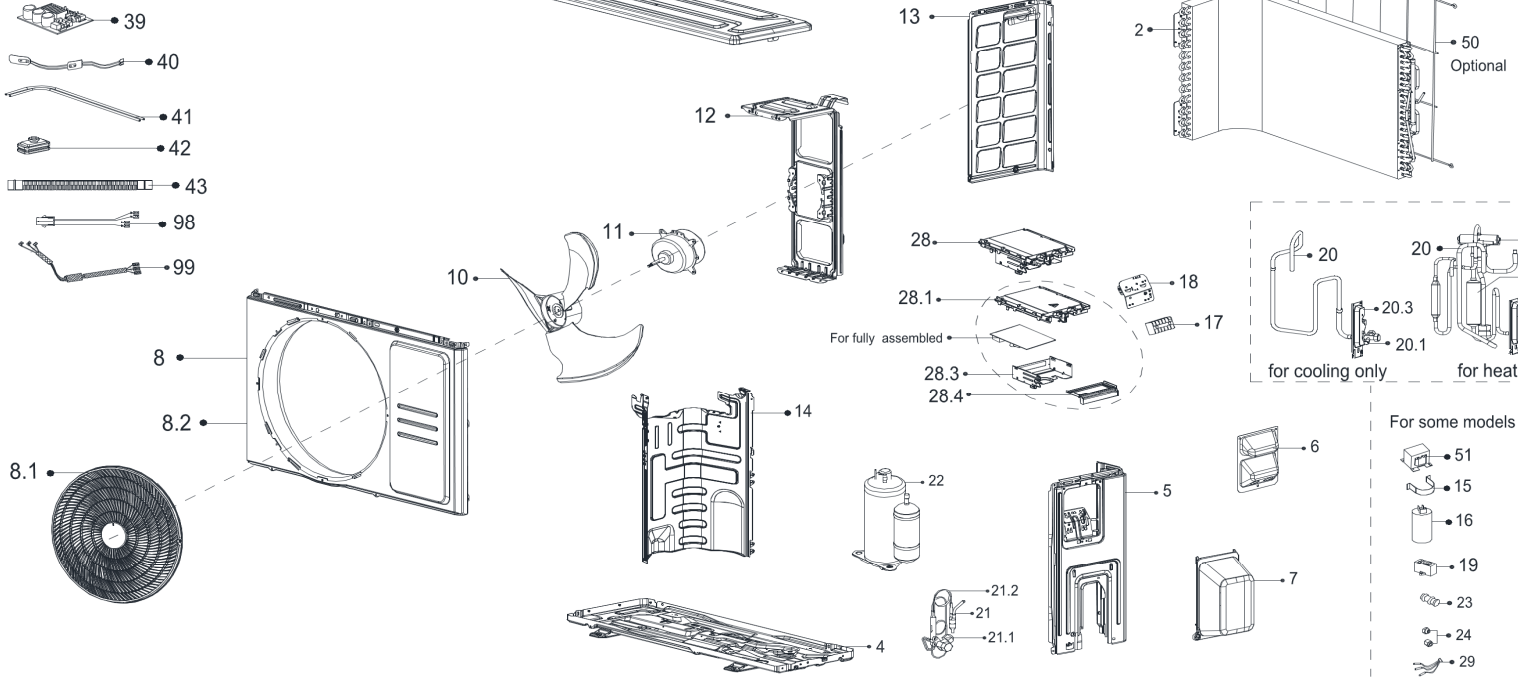


Exploded View

Customer model:

112CD(O)-20

Optional function parts



EX_ID	Spare Parts Code	Part Name(EN)	Qty.
2	15822000A17009	Condenser assembly	1
4	12222000012131	Chassis assembly	1
5	12222000012141	Right clapboard assembly	1
6	12222000010966	Big handle assembly	1
7	12122000007150	Water collector	1
8	12222000013185	Front panel assembly	1
8.1	12222000013187	Air outlet grille	1
8.2	12222000013186	Front panel	1
9	12222000014305	Top cover assembly	1
10	12100105000821	Axial flow fan	1
11	11002015000396	Brushless DC Motor	1
12	12222000012390	Supporter of fan motor	1
13	12222000012135	Left supporter	1
14	12222000012266	Partition board	1
17	17400401000075	Terminal	1
18	12222000002259	Terminal board	1
20	15422000016376	Gas valve assembly	1
20.1	15500204000058	Gas valve	1
20.3	12222000002571	Valve plate	1
21	15422000017372	Liquid valve assembly	1
21.1	15500208000046	Liquid valve	1
21.2	15122000025834	Capillary	1
22	11103020005082	DC Inverter rotary compressor	1
25	15111600A00020	Connecting pipe assembly	1
28	17222000031296	Electronic control box subassembly	1
28.1	12122000024223	Support of electronic control box	1
28.3	12222000012106	Electronic installing box subassembly	1
28.4	12122000024222	Fixing board	1
29	11201011000067	Combination Sensor	1
50	12222000012385	Rear net	1
99	17401203012697	Compressor wire subassembly	1

