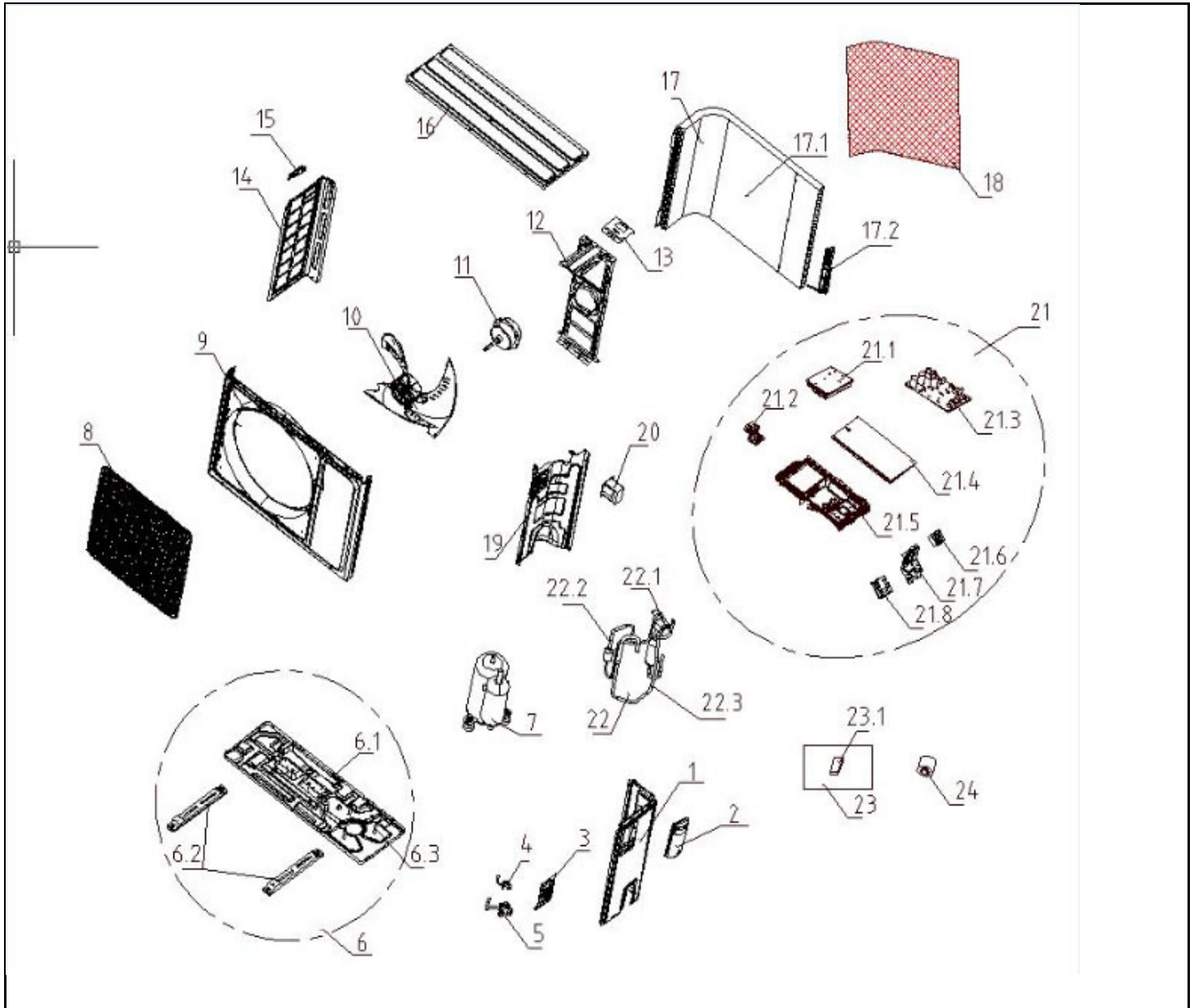


AUX RAC Exploded View

CJE36CD(O)
208-230V/1Ph/60HZ

ComfortStar®



No.	Part Name	Quantity	BOM Code
1	right side panle	1	11321007000344
2	E-parts cover	1	11321008000014
3	valve plate	1	11321031000027
4	stop valve	1	11225517000005
5	stop valve	1	11225517000011

6	base pan assembly	1	11221502000491
6.1	chassis	1	11321014000131
6.2	base footing	2	11321023000014
6.3	screw bolt	3	14731005000063
7	compressor	1	11223003000351
8	panel grille	1	11321022000227
9	panel	1	11321005000084
10	axial flow fan	1	11320009000065
11	motor	1	11230005000019
12	motor support	1	11321002000032
16	top cover	1	11321009000038
17	condensor assembly	1	11224004001568
17.1	condensor assembly	1	11224006000519
17.2	capillary assembly	1	11325026000854
19	partition board	1	11321025000055
20	reactor	1	11330034000012
21	main controller	1	11222004000873
21.3	PCB	1	11222031000905
21.4	cover of electric controller box	1	11321020000025
21.5	controller box	1	11320057000087
21.6	terminal board	1	11330037000157
21.7	E-parts bracket	1	11321015000042
22	4-way valve assembly	1	11225516001084
22.1	4-way valve	1	11325007000104
22.3	discharge pipe	1	11225505000964
23	accessories	1	11219005000167
23.1	putty	1	14618079000003
24	tape	1	11320022000016