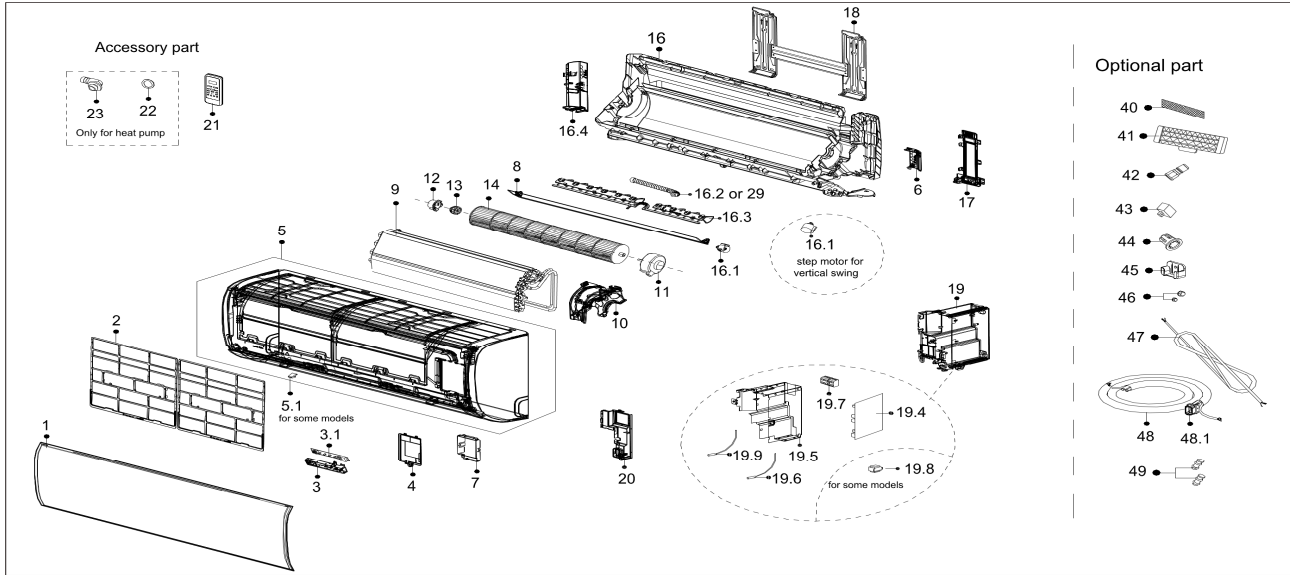


# Exploded View

Model

CLA12CA(I)



EX_ID	Spare Parts Code	Part Name(EN)	Qty.	Remark2	Remarks
1	12122000A85421	Panel assembly	1		
2	12122000015224	Air filter	2		
3	17222000A18768	Display box subassembly	1		
3.1	17122000053593	Display board subassembly	1		
4	12122000013131	Cover of electrical equipment	1		
5	12122000013170	Panel frame assembly	1		
5.1	12122000013139	Screw Cap	2		
6	12122000013140	Front cover of chassis(right)	1		
7	12122000013141	Cover of electrical equipment subassembly	1		
8	12122000013168	Horizontal louver assembly	1		
9	15822000008195	Evaporator assembly	1		
10	12122000013129	Fan motor cover	1		
11	11002012005527	Single phase asynchronous motor	1		
12	12122000000350	Bearing holder	1		
13	12622000000131	Bearing components	1		
14	12100102000044	Cross flow fan	1		
16	12122000013163	Chassis assembly	1		
16.1	11002010000143	Stepper motor	1		
16.2	12100501000032	Drain hose	1		
16.3	12122000013167	Horizontal louver	1		
16.4	12122000013123	Front cover of chassis(left )	1		
16.5	12122000000344	Insulated axis	1		
17	12122000013136	pipe clamp board	1		
18	12222000005844	Installation plate	1		
19	17222000034197	Electronic control box subassembly (Mid-and low-end)	1		
19.4	17122000051885	Main control board subassembly	1		
19.5	12122000013001	Electronic control box subassembly	1		
19.6	11201007003447	Pipe Temperature Sensor	1		
19.7	17400401000094	Terminal	1		
19.9	11201007003424	Room Temperature Sensor	1		
20	12122000013132	Electrical Control Box Cover Subassembly	1		
21	17317000A62485	Remote controller	1		
40	12100204000685	Air freshening filter	1		
47	17401203A00145	Indoor and Outdoor Junction Cable	1		