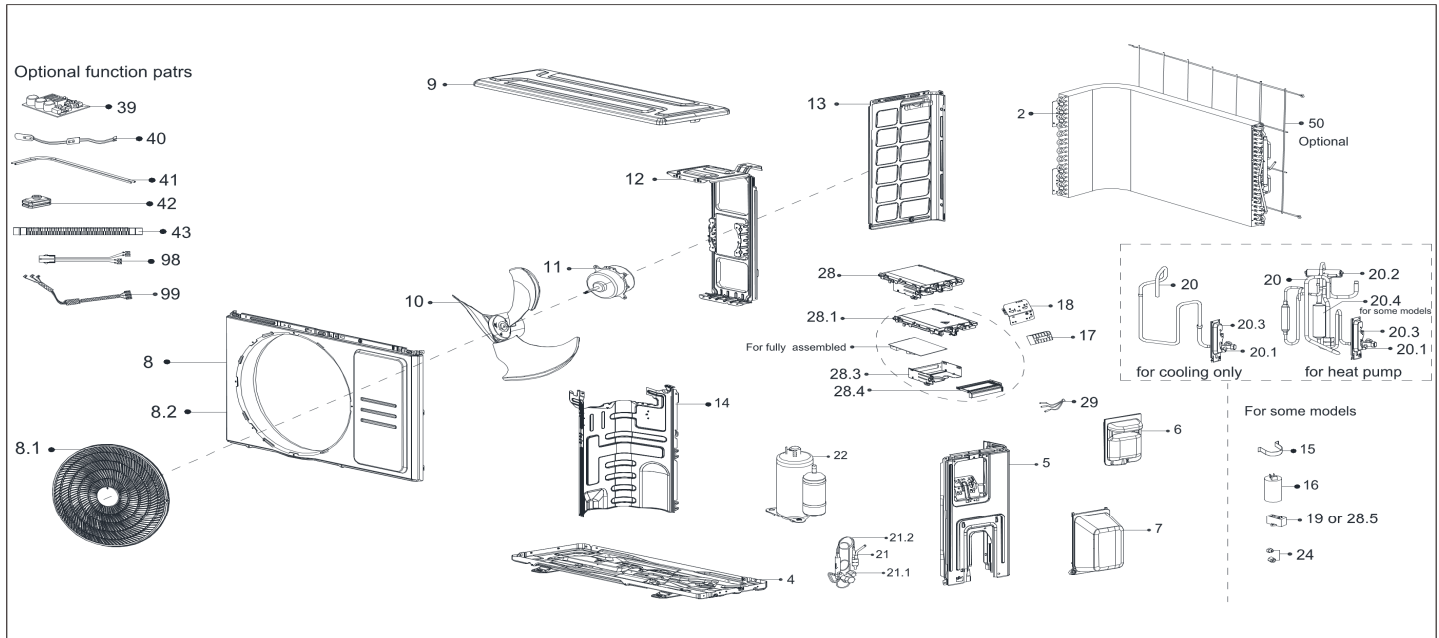


Exploded View

Model

CLA12CA(O)



EX_ID	Spare Parts Code	Part Name(EN)	Qty.	Remark2	Remarks
2	15822000A17007	Condenser assembly	1		
4	12222000012131	Chassis assembly	1		
5	12222000012141	Right clapboard assembly	1		
6	12100701A00057	Big handle assembly	1		
7	12122000007150	Water collector	1		
8	12222000012137	Front panel assembly	1		
8.1	12122000024226	Air outlet grille	1		
8.2	12222000012138	Front panel	1		
9	12222000014305	Top cover assembly	1		
10	12100105000821	Axial flow fan	1		
11	11002015000396	Brushless DC Motor	1		
12	12222000012390	Supporter of fan motor	1		
13	12222000012135	Left supporter	1		
14	12222000013428	Partition board assembly	1		
17	17400401000075	Terminal	1		
18	12222000002259	Terminal board	1		
20	15422000016376	Gas valve assembly	1		
20.1	15500204000058	Gas valve	1		
20.3	12222000002571	Valve plate	1		
21	15422000016233	Liquid valve Assembly	1		
21.1	15500208000046	Liquid valve	1		
21.2	15122000024863	Capillary	1		
22	11103020005082	DC Inverter rotary compressor	1		
25	15111600A00020	Connecting pipe assembly	1		
28	17222000034199	Electronic control box subassembly	1		
28.1	12122000024223	Support of electronic control box	1		
28.3	12222000012106	Electronic installing box subassembly	1		
28.4	12122000024222	Fixing board	1		
29	11201011000067	Combination sensor	1		
50	12222000012385	Rear net	1		
99	17401203012697	Compressor wire subassembly	1		