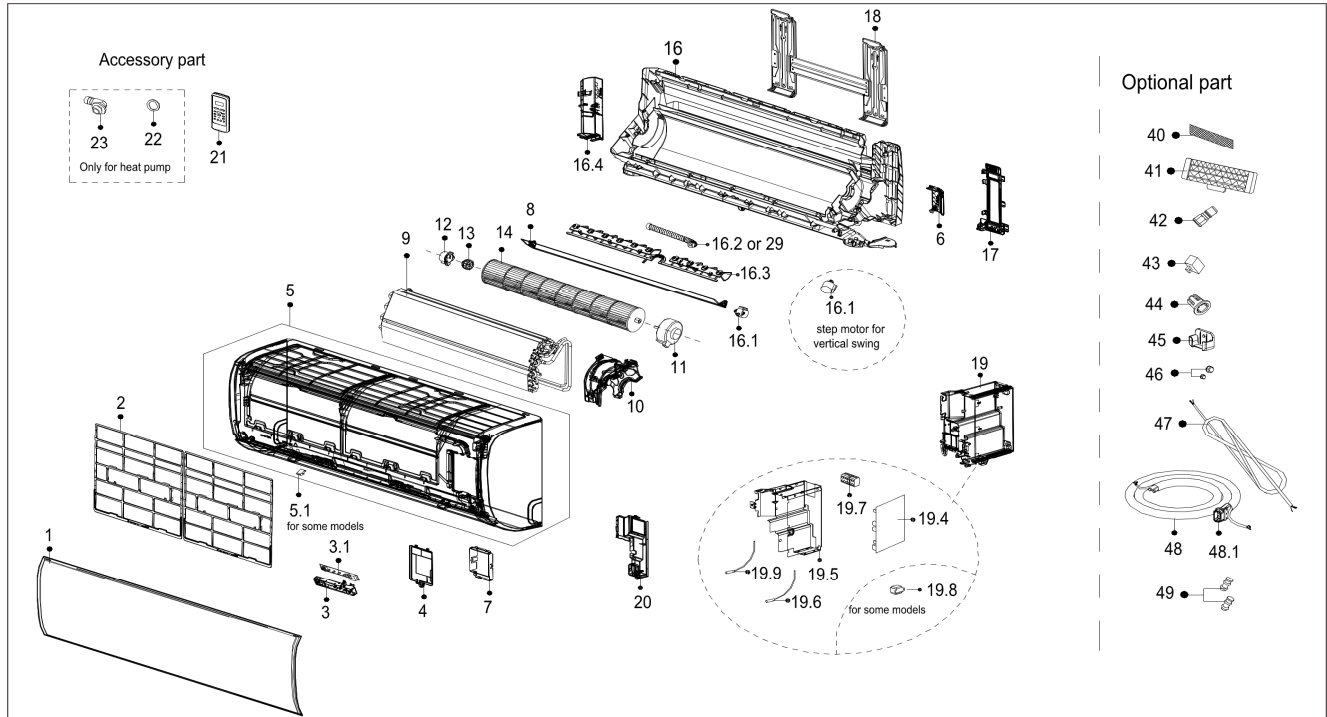


# Exploded View

Customer model:

CPE12CD(I)



EX_ID	Spare Parts Code	Part Name(EN)	Qty.
1	12122000A27483	Panel assembly	1
2	12122000015224	Air filter	2
3	17222000A18768	Display box subassembly	1
3.1	17122000041914	Display board subassembly	1
4	12122000013131	Cover of electrical equipment	1
5	12122000013170	Panel frame assembly	1
5.1	12122000013139	Screw Cap	2
6	12122000013140	Front cover of chassis(right)	1
7	12122000013141	Cover of electrical equipment subassembly	1
8	12122000013168	Horizontal louver assembly	1
9	15822000008570	Evaporator assembly	1
10	12122000013129	Fan motor cover	1
11	11002012001871	Single phase asynchronous motor	1
12	12122000000350	Bearing holder	1
13	12622000000006	Bearing base	1
14	12100102000044	Cross flow fan	1
16	12122000013163	Chassis assembly	1
16.1	11002010000143	Stepper motor	1
16.3	12122000013167	Horizontal louver	1
16.4	12122000013123	Front cover of chassis(left )	1
17	12122000013136	pipe clamp board	1
18	12222000005844	Installation plate	1
19	17222000028034	Electronic control box subassembly (Mid-and low-end)	1
19.4	17122000044539	Main control board subassembly	1
19.5	12122000013001	Electronic control box subassembly	1
19.6	11201007003447	Pipe Temperature Sensor	1
19.7	17400401000094	Terminal	1
19.9	11201007003424	Room temperature sensor	1
20	12122000013132	Electrical Control Box Cover Subassembly	1
21	17317000004334	Remote controller	1
29	12100501000032	Drain hose	1
40	12100204000685	Air freshening filter	1
47	17401203A00145	Indoor and Outdoor Junction Cable	1