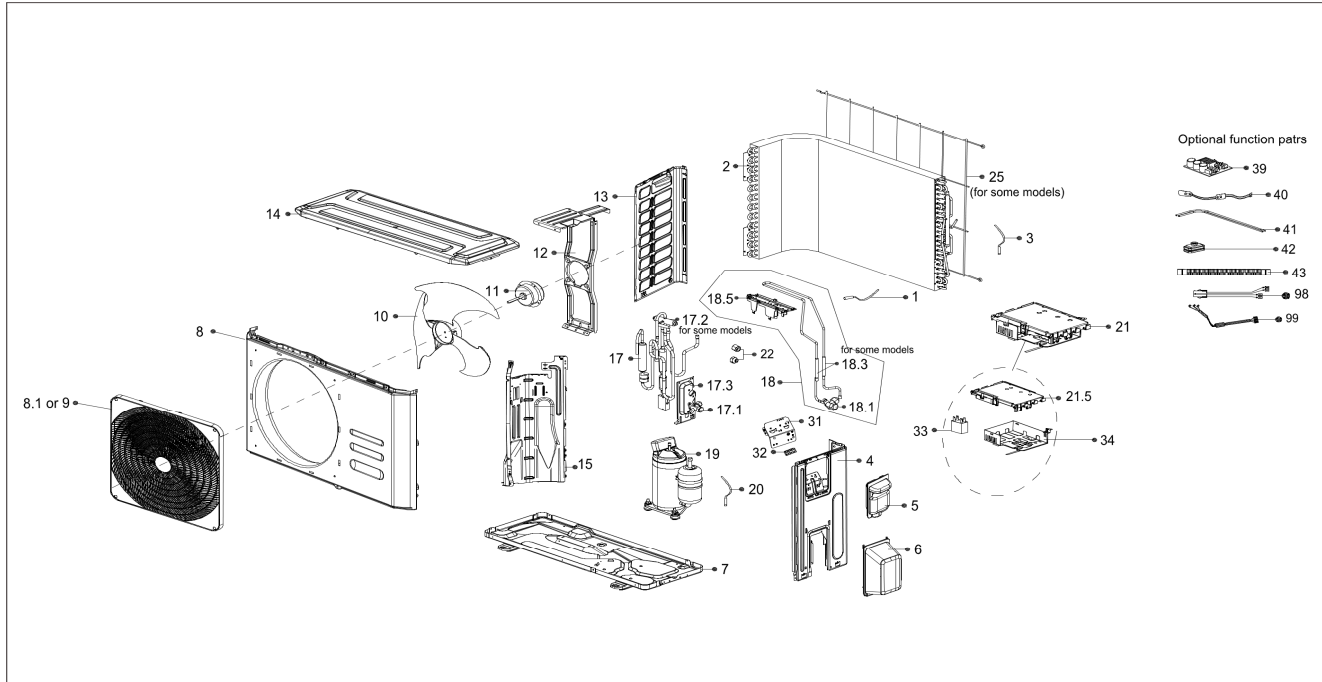


# Exploded View

Customer model:

CPE18CD(O)



EX_ID	Spare Parts Code	Part Name(EN)	Qty.
1	11201007000039	Room temperature sensor	1
2	15822000A16073	Condenser assembly	1
3	11201007002320	Pipe temperature sensor	1
4	12222000003597	Right clapboard assembly	1
5	12100701000015	Big handle assembly	1
6	12122000007150	Water collector	1
7	12222000004427	Chassis assembly	1
8	12222000A02011	Front panel assembly	1
9	12122000020241	Air outlet grille	1
10	12100105000057	Axial flow fan	1
11	11002012009060	Single phase asynchronous motor	1
12	12222000008924	Supporter subassembly of fan motor	1
13	12222000001232	Left supporter	1
14	12222000003598	Top cover assembly	1
15	12222000004425	Partition board	1
17	15422000004757	Gas valve assembly	1
17.1	15500204000058	Gas valve	1
17.3	12222000002571	Valve plate	1
18	15422000007253	Liquid valve assembly	1
18.1	15500208000028	Liquid valve	1
18.5	12122000008879	U-Typed Support with Copper Pipe	1
19	11103020003919	DC Inverter Rotary Compressor	1
20	11201007000005	Discharge temperature sensor	1
21	17222000024489	Electronic control box subassembly	1
21.5	12122000008999	Electronic installing box	1
24	15111600A00020	Connecting pipe assembly	1
31	12222000002259	Terminal board	1
32	17400401000075	Terminal	1
33	17400101000083	Fan motor capacitor	1
34	12222000003559	Electronic installing box	1
99	17401203000802	Compressor wire subassembly	1