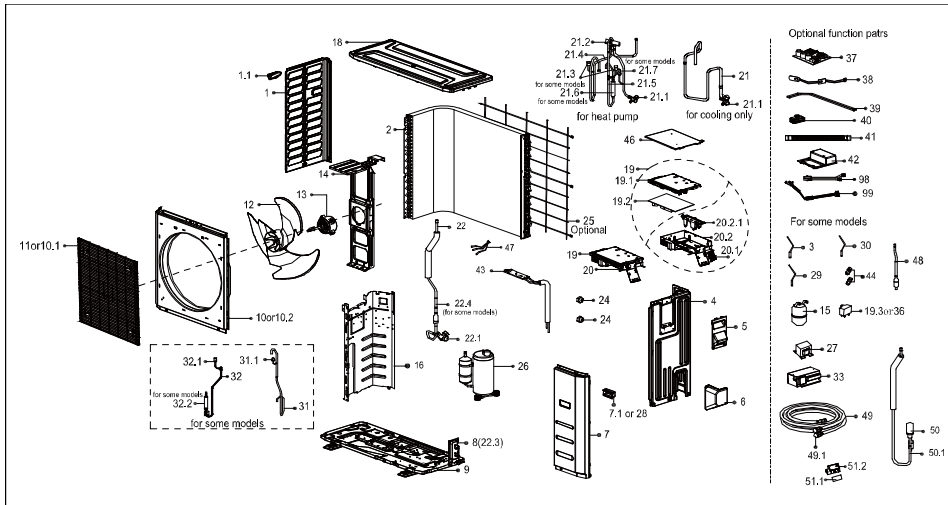


## Exploded View

Sale Model:

CPR36CD(O)



No.	Part Name	Quantity	BOM Code
1	Left side plate assembly of cabinet	1.0	12222000006665
1.1	Small handle	1.0	12100701000033
2	Condenser assembly	1.0	15822000008198
3	Pipe Temperature Sensor for Refrigerant tube	1.0	11201007003445
3	Pipe Temperature Sensor for Suction Pip	1.0	11201007000069
4	Rear right clapboard assembly	1.0	12222000006664
5	Big handle assembly	1.0	12222000013365
6	Water collector	1.0	12122200002695
7	Front right clapboard assembly	1.0	12222500A00135
7.1	handle	1.0	12100702000038
9	Chassis assembly	1.0	12222000004018
10	Front panel	1.0	12222000A01431
11	Air outlet grille	1.0	12222000014845
12	Axial flow fan	1.0	12100105000084
13	Brushless DC Motor	1.0	11002015000247
14	Supporter subassembly of fan motor	1.0	12222000005162
15	Accumulator cylinder	1.0	15500508000315
16	Partition board assembly	1.0	12222000012328
18	Top cover assembly	1.0	12222500000587
19	Electronic control box subassembly	1.0	17222000036245
19.1	Cover of electronic control box	1.0	12122000025662
19.2	Outdoor main control board subassembly	1.0	17122000054052
20	Terminal board subassembly	1.0	17222000036244
20.1	Terminal	1.0	17400401000119
20.2	Electronic installing box subassembly	1.0	12222000015265
20.2.1	U-Typed Support with Copper Pipe	1.0	12122000024381
21	4-way valve assembly	1.0	15422000020456
21.1	Gas valve	1.0	15500204000502
21.2	4-way valve	1.0	15500216000361
21.3	over high Pressure switch	1.0	17400516000849
21.4	Suction pipe	1.0	15122000028747
21.5	Discharge pipe assembly	1.0	15122000028802
21.7	Pressure sensor	1.0	11201008000773
22	Liquid valve assembly	1.0	15422000020458
22.1	Gas valve	1.0	15500204000021
22.3	Valve plate	1.0	1222200002110
22.4	Throttle valve	1.0	15500210002108
24	Copper nut for high-pressure valve	1.0	15500406000003
24	Copper nut for low-pressure valve	1.0	15500406000010
25	Rear net	1.0	12222000006604
26	DC Inverter Rotary Compressor	1.0	11103020000559
31	Suction pipe assembly	1.0	15122000028752
31.1	Overflow Pressure switch	1.0	17400516000850
38	Crankcase electric heater	1.0	17402001000601
39	Electric heating tube	1.0	17402002000466
43	Radiator subassembly	1.0	15122000026020
46	Cover of electronic control box	1.0	12122000016029
47	Combination sensor	1.0	11201011000188
50	Electronic expansion valve subassembly	1.0	15422000020457
50.1	Electronic expansion valve body	1.0	15500213000265
99	Compressor wire subassembly	1.0	174012030000751