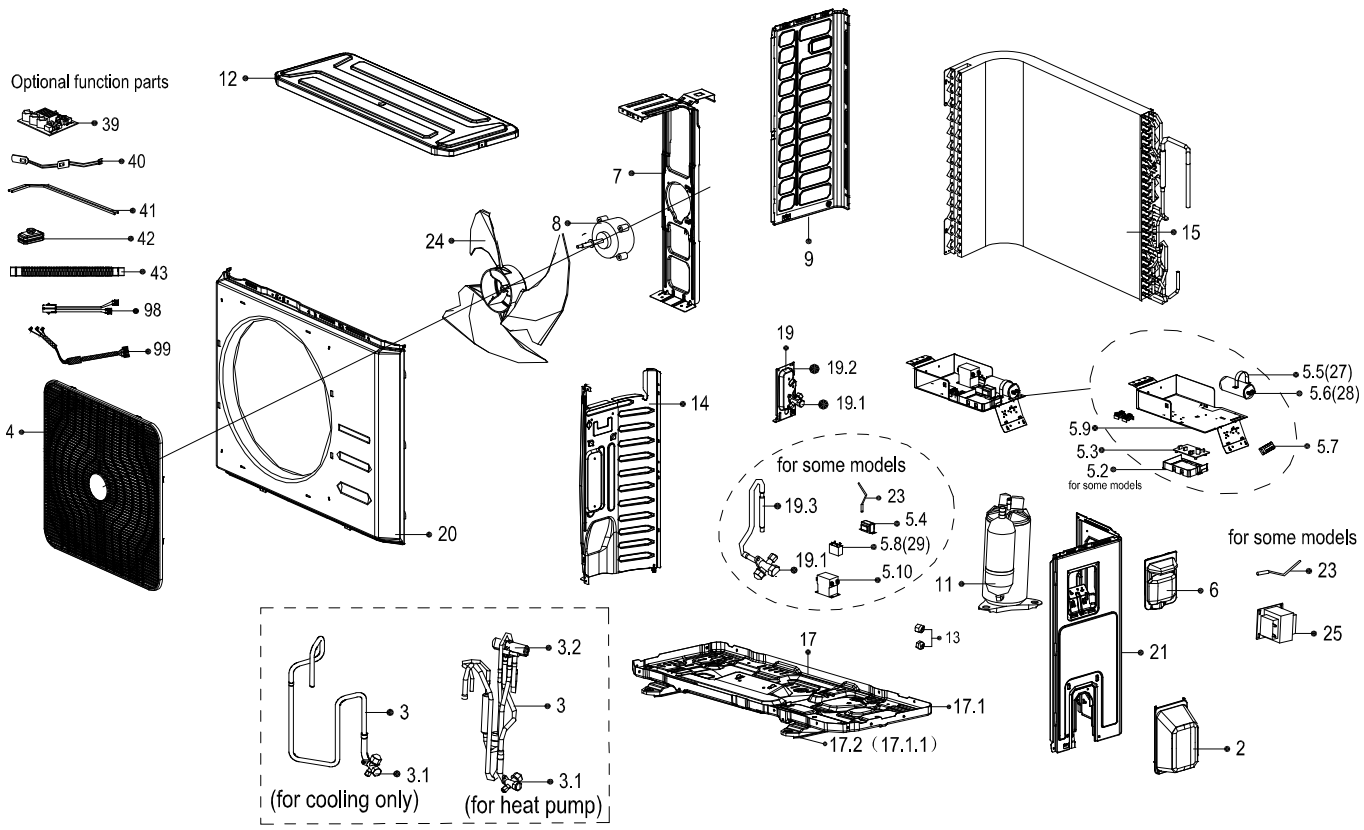


ComfortStar Model Number: CPS/CSA24CD(O)

Power Supply: 208-230V/60Hz/1Ph



| No.    | Part Name  | Quantity | PART#          |
|--------|--|----------|----------------|
| 2      | Water Collector                                  | 1        | 12122000007150 |
| 3      | Gas Valve Assembly                               | 1        | 15422000005393 |
| 3.1    | Gas Valve  | 1        | 15500204000025 |
| 4      | Air Outlet Grille                                | 1        | 12122000011758 |
| 5      | Electronic Control Box Subassembly               | 1        | 17222000010051 |
| 5.2    | Electronic Installing Box                        | 1        | 12122000006870 |
| 5.3    | Main Control Board Subassembly                   | 1        | 17122000002586 |
| 5.4    | Linear Transformer                               | 1        | 11203103000206 |
| 5.5    | Capacitor Clip                                   | 1        | 12200203000006 |
| 5.6    | Capacitor Of Compressor                          | 1        | 17400103000061 |
| 5.7    | 2 terminals Wire joint                           | 1        | 17400401000012 |
| 5.7    | Wire joint                                       | 1        | 17400401000096 |
| 5.8    | Capacitor Of Fan Motor                           | 1        | 17400101000009 |
| 5.9    | Installation Plate Of Electric Parts Subassembly | 1        | 12222000005082 |
| 5.10   | Ac Contactor                                     | 1        | 11203502000292 |
| 6      | Big Handle Assembly                              | 1        | 12100701000015 |
| 7      | Supporter Subassembly Of Fan Motor               | 1        | 12222000004923 |
| 8      | Single Phase Asynchronous Motor                  | 1        | 11002012005429 |
| 9      | Left Side Plate Assembly Of Cabinet              | 1        | 12222000004794 |
| 11     | Fixed Speed Rotary Compressor                    | 1        | 11103010002550 |
| 12     | Top Cover Assembly                               | 1        | 12222000009205 |
| 13     | Copper nut for 5/8 Pipe (16mm)                   | 1        | 15500406000003 |
| 13     | Copper nut for 3/8 Pipe (9.52mm)                 | 1        | 15500406000010 |
| 14     | Partition Board Assembly                         | 1        | 12222000004784 |
| 15     | Condenser Assembly                               | 1        | 15822000004017 |
| 17     | Chassis Assembly                                 | 1        | 12222000004823 |
| 17.1   | Chassis Assembly                                 | 1        | 12222000009344 |
| 17.1.1 | Footing  | 2        | 12222000004788 |
| 19     | Liquid Valve Assembly                            | 1        | 15422000005392 |
| 19.1   | Liquid Valve                                     | 1        | 15500208000023 |
| 19.2   | Valve Plate                                      | 1        | 12222000002571 |
| 20     | Front Panel                                      | 1        | 12222000004822 |
| 21     | Right Side Plate                                 | 1        | 12222000004785 |
| 24     | Axial Flow Fan                                   | 1        | 12100105000181 |
| 99     | Compressor Wire Subassembly                      | 1        | 17401203000858 |