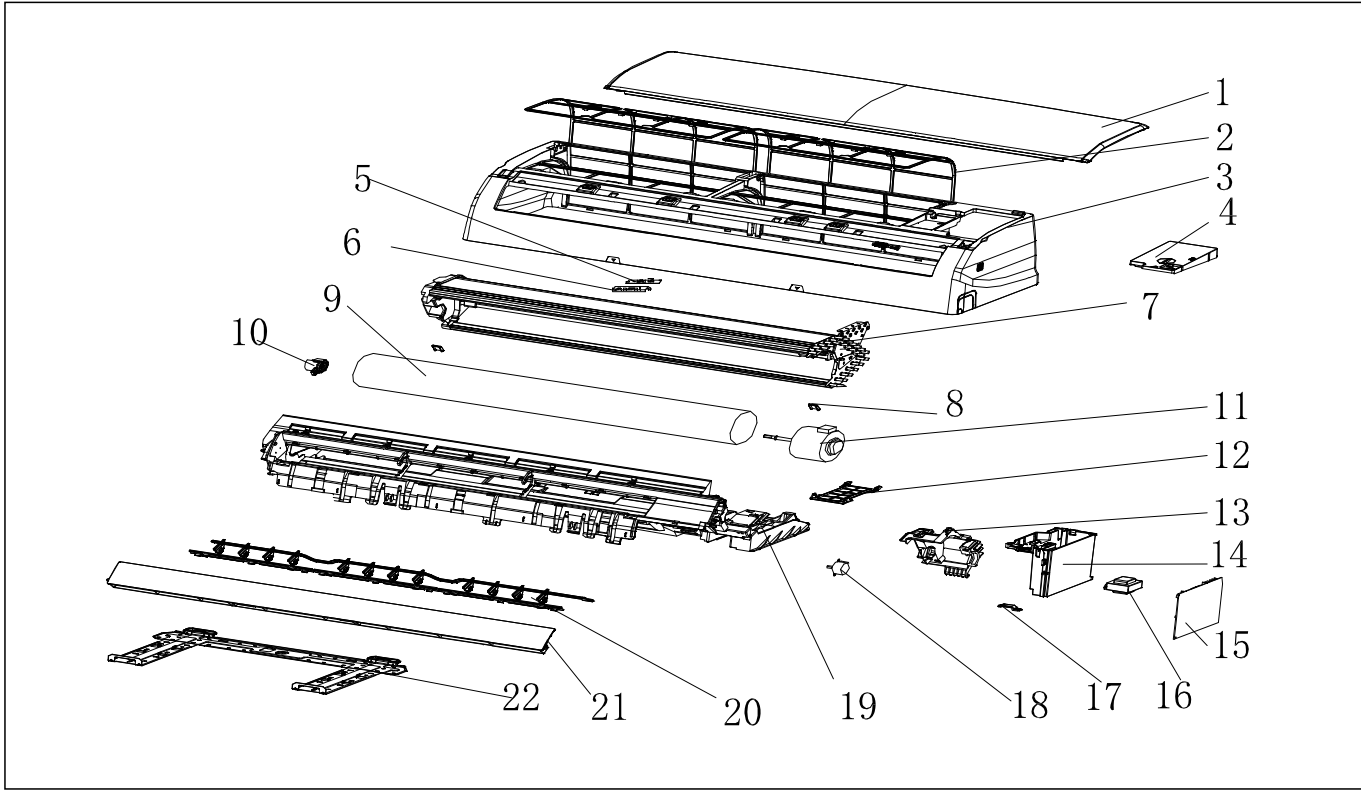


ComfortStar Model Number: CSA09CA(I)

Power Supply: 115V~/60Hz/1P

ComfortStar®



| No. | Part No. | Part Name | Q'ty | Price(USD) | Remark |
|-----|-------------|------------------------|------|------------|-----------------------------|
| 1 | 210739807 | Front Panel | 1 | 4.35 | |
| 2 | 210701863 | Air Filter | 2 | 0.44 | |
| 3 | 210737662 | Face Frame | 1 | 5.29 | |
| 4 | 210737654 | Electrical Box Cover | 1 | 0.65 | |
| 5 | 210901127R | Display PCB | 1 | 3.71 | |
| 6 | 210705767 | Display PCB Box | 1 | 0.11 | |
| 7 | 211239033 | Evaporator | 1 | 23.5 | |
| 8 | 210701846 | Screw Cover | 1 | 0.03 | |
| 9 | 210737655 | Cross Fan | 1 | 3.11 | |
| 10 | 1070100010 | Bearing Mount | 1 | 0.3 | |
| 11 | 210900694 | Indoor Motor | 1 | 11.67 | |
| 12 | 210736813 | In And Out Pipe Fixer | 1 | 0.1 | |
| 13 | 210737653 | Indoor Motor Cover | 1 | 0.42 | |
| 14 | 210736831 | Electrical Box | 1 | 2.13 | |
| 15 | 210901526BW | Main PCB | 1 | 11.15 | |
| 16 | 210901729 | Transformer | 1 | 2.25 | |
| 17 | 210736832 | Cable Clamp | 1 | 0.05 | |
| 18 | 1170020011 | Vane Motor | 1 | 1.16 | |
| 19 | 210737656 | Base | 1 | 8.53 | |
| 20 | 210701880 | Vertical Vane Assembly | 2 | 0.16 | |
| 21 | 210737652 | Vane | 1 | 0.81 | |
| 22 | 1080030003 | Installation Plate | 1 | 0.85 | |
| 23 | 210900333 | Indoor Sensor Assembly | 1 | 0.59 | Not shown in Explosion view |
| 24 | 210901249M | Remote Controller | 1 | 3.96 | |
| 25 | 211367422 | Indoor Carton | 1 | 3.11 | |
| 26 | 211368167 | Left Foaming | 1 | 1.14 | |
| 27 | 211368168 | Right Foaming | 1 | 1.14 | |