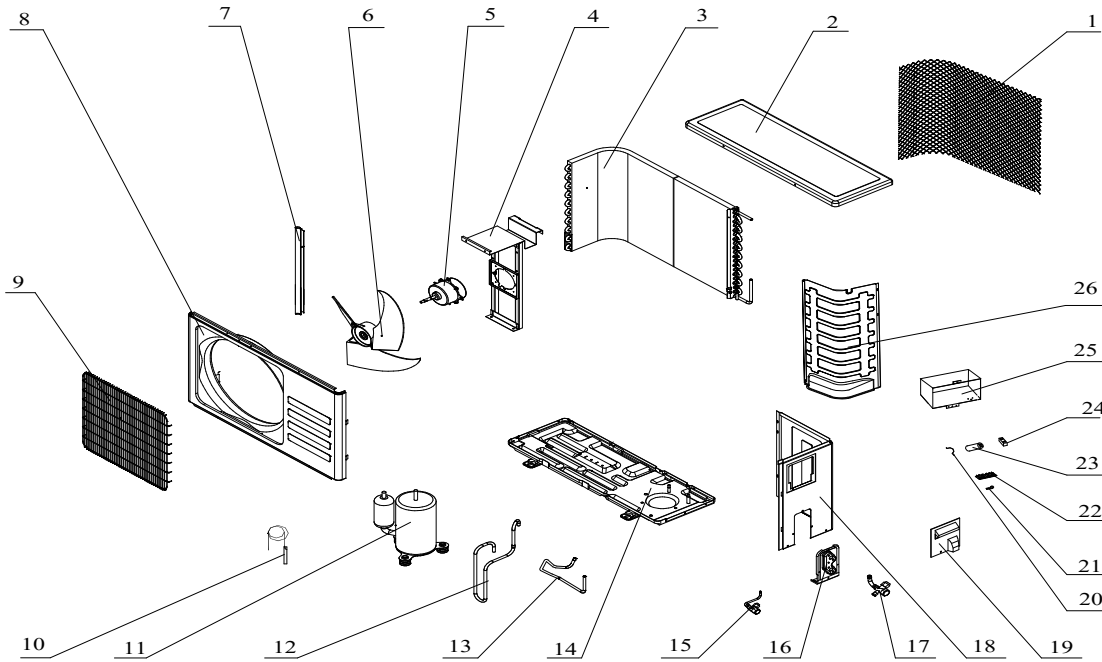


ComfortStar Model Number: CSA09CD(O)
 Power Supply: 208-230V~/60Hz/1P

ComfortStar®



No.	Part No.	Part Name	Q'ty	Price(USD)	Remark
1	NO	Grille	1	0.40	Optional
2	1081990014	Top Cover	1	2.59	
3	211231164	Condenser	1	18.92	
4	1081990018	Outdoor Motor Supporter	1	1.79	
5	1170030051	Outdoor Motor	1	9.94	
6	1070030006AA	Propeller Fan	1	2.16	
7	1081990011	Left Grille Supporter	1	0.68	
8	1081990016	Front Plate	1	4.32	
9	1070251929	Fan Guard	1	1.53	
10	211239631	Capillary Assembly	1	0.95	
11	211233207	Compressor	1	46.83	
12	211239605	Discharge pipe	1	2.54	
13	211239604	Suction pipe	1	3.12	
14	210837829	Base	1	4.00	
15	211236491	Two-way Valve	1	1.52	
16	1081990013	Valve Supporter	1	0.52	
17	1120130039	Three-way Valve	1	2.43	
18	1081990012	Right Plate	1	2.08	
19	1073521301	Electrical Box Cover	1	0.51	
20	1080010002	Capacitor Strip	1	0.07	
21	1070040002	Cable Clamp(φ 7)	1	0.03	
22	1170500130	terminal	1	0.26	
23	1170100014A	Compressor Capacitor	1	2.03	
24	1170100031A	Fan Motor Capacitor	1	0.51	
25	1081990010	Electrical Parts Box	1	0.28	
26	1081990019	Partition plate	1	1.56	
27	211366575	Cabinet Carton	1	2.65	Not shown in the Explosion view.
28	211366576	Base Carton	1	0.79	
29	211367058	Cover Forming	1	0.70	