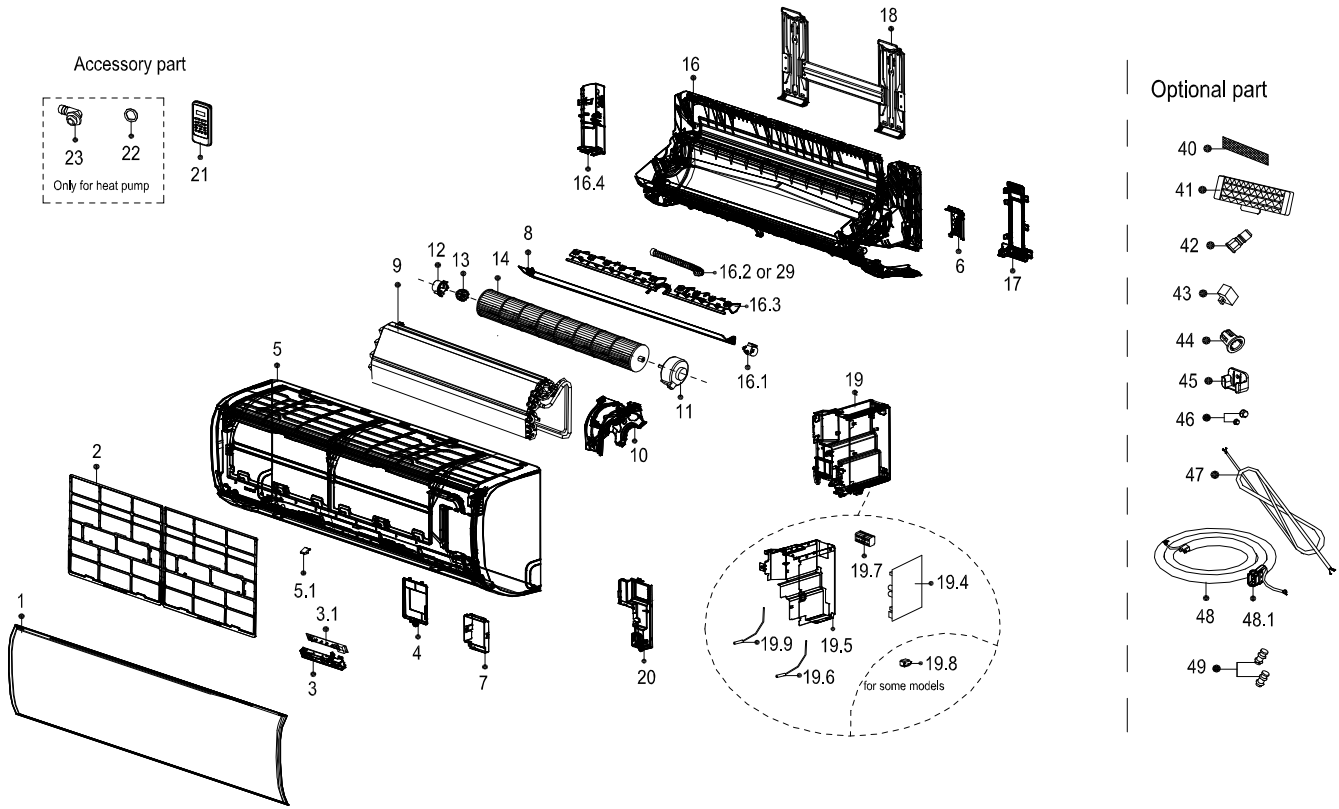


ComfortStar Model Number: CPS/CSA09CD(I)

Power Supply: 208-230V/60Hz/1Ph



No.	Part Name	Quantity	PART#
1	Panel Assembly	1	12122000013133
2	Air Filter	2	12122000015223
3	Display Box Subassembly	1	17222000011249
3.1	Display Board Subassembly	1	17122000022028
4	Cover Of Electrical Equipment	1	12122000013131
5	Panel Frame Assembly	1	12122000013137
5.1	Screw Cap	2	12122000013139
6	Front Cover Of Chassis	1	12122000013140
7	Cover Of Electrical Equipment Subassembly	1	12122000013141
8	Horizontal Louver Assembly	1	12122000013127
9	Evaporator Assembly	1	15822000004776
10	Fan Motor Cover	1	12122000013129
11	Single Phase Asynchronous Motor	1	11002012001871
12	Bearing Holder	1	12122000000350
13	Bearing Base	1	12622000000006
14	Cross Flow Fan	1	12100102000156
16	Chassis Assembly	1	12122000013121
16.1	Stepper Motor	1	11002010000143
16.3	Horizontal Louver	1	12122000013761
16.4	Front Cover Of Chassis	1	12122000013123
17	Pipe Clamp Board	1	12122000013136
18	Installation Plate	1	12222000005844
19	Electronic Control Box Subassembly (Mid-And Low-End)	1	17222000011356
19.4	Main Control Board Subassembly	1	17122000021321
19.5	Electronic Control Box Subassembly	1	12122000013001
19.6	Pipe Temperature Sensor	1	11201007000322
19.7	Wire Joint	1	17400401000285
19.8	Linear Transformer	1	11203103000305
19.9	Room Temperature Sensor	1	11201007000088
20	Cover Of Electronic Control Box Subassembly	1	12122000013132
21	Remote Controller	1	17317000000113
29	Drain Hose	1	12100501000032
40	Air Fresh Filter	1	12100204000685
46	Copper nut for 1/4 Pipe (6.35mm)	1	15500406000016
46	Copper nut for 3/8 Pipe (9.52mm)	1	15500406000010