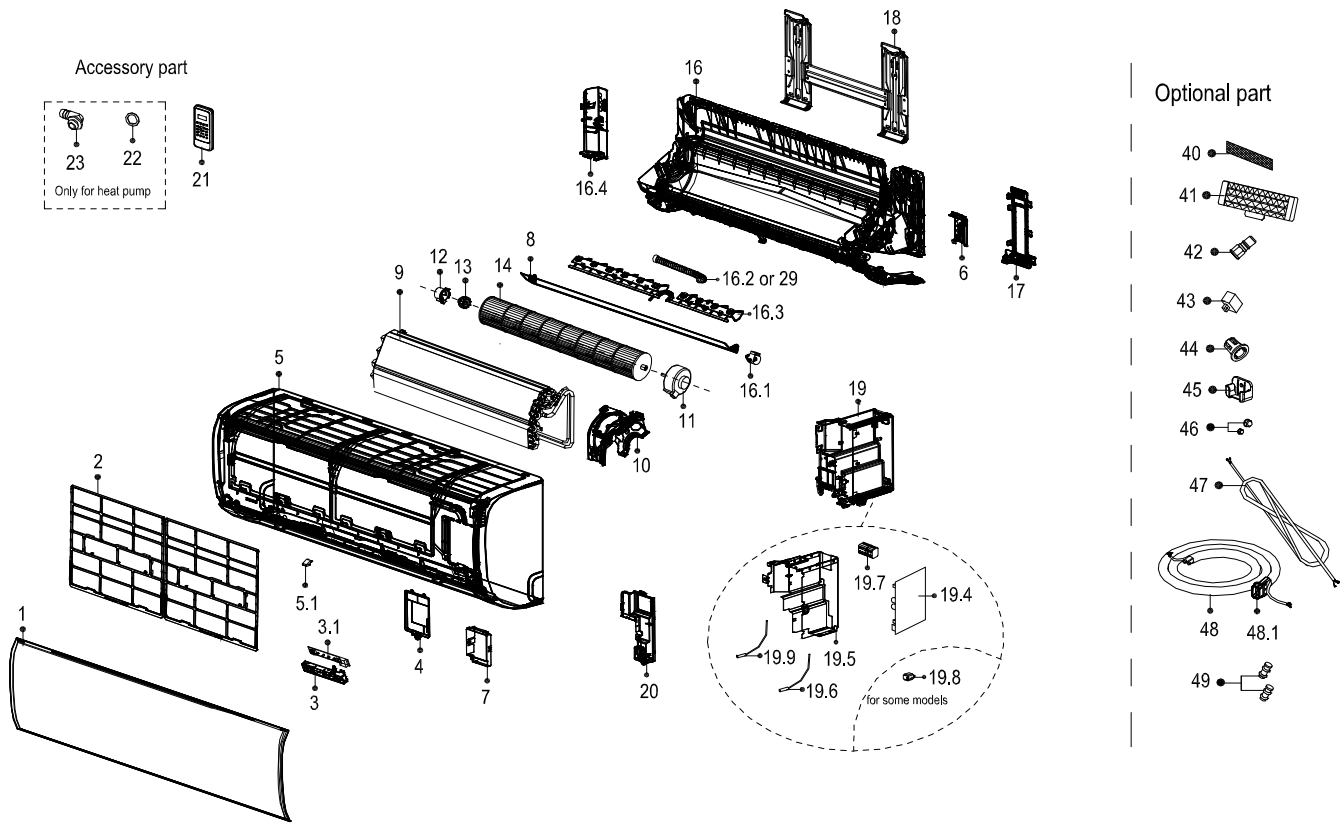


ComfortStar Model Number: CPS/CSA12CA(I)

Power Supply: 115V/60Hz/1Ph



No.	Part Name	Quantity	PART#
1	Panel Assembly	1	12122000013161
2	Air Filter	2	12122000015224
3	Display Box Subassembly	1	17222000011249
3	Display Board Subassembly	1	17122000022028
4	Cover Of Electrical Equipment	1	12122000013131
5	Panel Frame Assembly	1	12122000013170
5	Screw Cap	2	12122000013139
6	Front Cover Of Chassis	1	12122000013140
7	Cover Of Electrical Equipment Subassembly	1	12122000013141
8	Horizontal Louver Assembly	1	12122000013168
9	Evaporator Assembly	1	15822000005796
10	Fan Motor Cover	1	12122000013129
11	Single Phase Asynchronous Motor	1	11002012005527
12	Bearing Holder	1	12122000000350
13	Bearing Base	1	12622000000006
14	Cross Flow Fan	1	12100102000044
16	Chassis Assembly	1	12122000013163
16	Stepper Motor	1	11002010000143
16	Horizontal Louver	1	12122000013763
16	Front Cover Of Chassis	1	12122000013123
17	Pipe Clamp Board	1	12122000013136
18	Installation Plate	1	12222000005844
19	Electronic Control Box Subassembly (Mid-And Low-End)	1	17222000016175
19	Main Control Board Subassembly	1	17122000026649
20	Electronic Control Box Subassembly	1	12122000013001
20	Pipe Temperature Sensor	1	11201007000322
20	Wire Joint	1	17400401000006
20	Linear Transformer	1	11203103001073
20	Room Temperature Sensor	1	11201007000088
20	Cover Of Electronic Control Box Subassembly	1	12122000013132
21	Remote Controller	1	17317000000113
29	Drain Hose	1	12100501000032
40	Air Fresh Filter	1	12100204000685
46	Copper nut for 3/8 Pipe (9.52mm)	1	15500406000010
46	Copper nut for 1/4 Pipe (6.35mm)	1	15500406000016