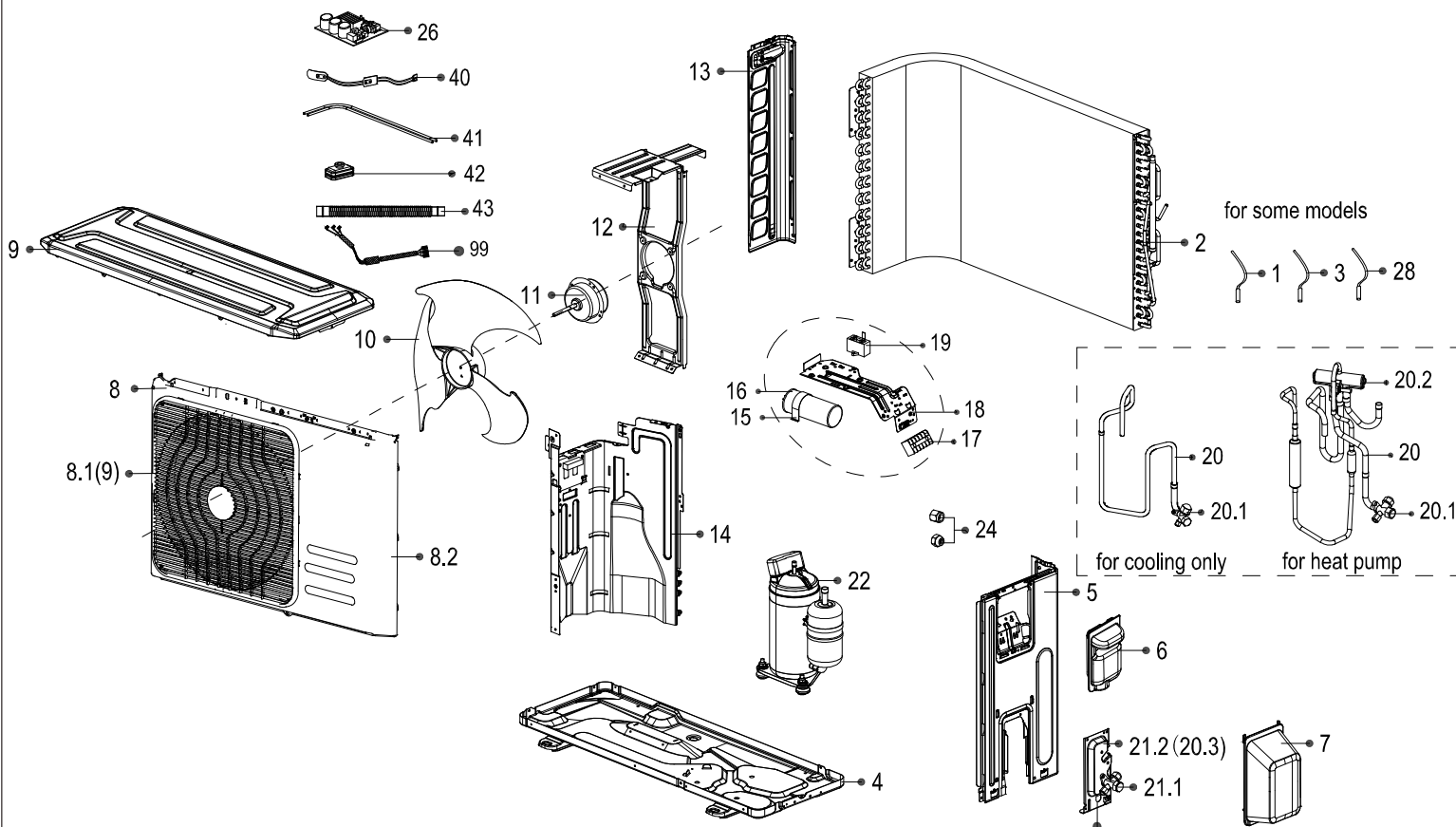


**ComfortStar Model Number: CPS/CSA18CD(O)**

**Power Supply: 208-230V/60Hz/1Ph**

Optional function parts



No.	Part Name	Quantity	21	PART#
2	Condenser Assembly	1		15822000003538
4	Chassis Assembly	1		1222000000632
5	Right Clapboard Assembly	1		12220000003597
6	Big Handle Assembly	1		12100701000015
7	Water Collector	1		12122000007150
8	Front Panel Assembly	1		1222000A02011
8.2	Front Panel	1		1222000004422
9	Top Cover Assembly	1		12220000003598
10	Axial Flow Fan	1		12100105000004
11	Single Phase Asynchronous Motor	1		11002012008761
12	Supporter Subassembly Of Fan Motor	1		12220000008924
13	Left Supporter	1		1222000001232
14	Partition Board	1		1222000002235
15	Capacitor Clip	1		12200203000006
16	Capacitor Of Compressor	1		17400103000018
17	Wire Joint	1		17400401000286
18	Support Of Electronic Control Box	1		1222000001591
19	Capacitor Of Fan Motor	1		17400101000009
20	Gas Valve Assembly	1		15422000005672
20.1	Gas Valve	1		15500204000058
20.3	Valve Plate	1		1222000002571
21	Liquid Valve Assembly	1		15422000005673
21.1	Liquid Valve	1		15500208000028
22	Fixed Speed Rotary Compressor	1		11103010003851
24	Copper nut for 1/4 Pipe (6.35mm)	1		15500406000016
24	Copper nut for 1/2 Pipe (12.7mm)	1		15500406000012
29	Air Outlet Grille	1		12122000010660
99	Compressor Wire Subassembly	1		17401203000880