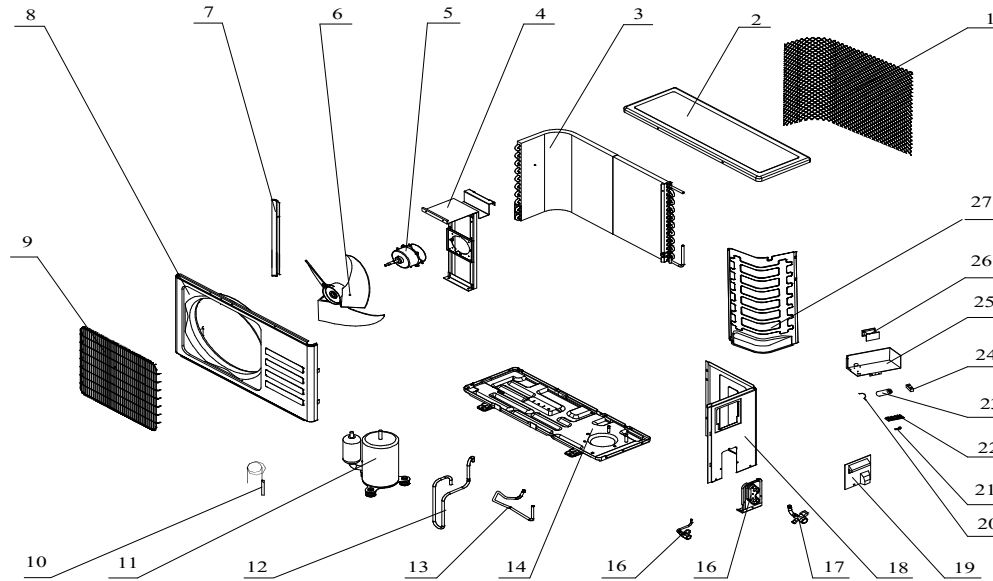


Power Supply: 208-230V/1Ph/60HZ



No.	Part Name	Quantity	PART#	Remark
1	Grille	1	1083520101	Optional
2	Top Cover	1	1081990056	
3	Condenser	1	211239553A	
4	Outdoor Motor Supporter	1	1081990060	
5	Outdoor Motor	1	1170040067	
6	Propeller Fan	1	1070030040AA	
7	Left Grille	1	1081990053	
8	Front Plate	1	1081990258	
9	Fan Guard	1	1071990096	
10	Capillary Assembly	1	211230397	
11	Compressor	1	211238189	
12	Discharge Pipe	1	211240209	
13	Suction Pipe	1	211240208	
14	Base	1	210800568	
15	Two-way Valve	1	1120120021	
16	Valve Supporter	1	1081990055	
17	Three-way Valve	1	1120130037	
18	Right Plate	1	1081990054	
19	Electrical Box Cover	1	1070350971	
20	Capacitor Strip	1	1080010006	
21	Cable Clamp	2	1074060118	
22	Terminal	1	1170200055	
23	Compressor Capacitor	1	1170100022B	
24	Fan Motor Capacitor	1	1170100030A	
25	Electrical Parts Box	1	210836891	
26	AC Contactor	1	1174561801	
27	Partition plate	1	1081990318	
28	Base Carton	1	211367570	Not shown in the Explosion view.
29	Cabinet Carton	1	211367433SC	
30	Base Foaming	1	211367108	
31	Cover Forming	1	211367109	