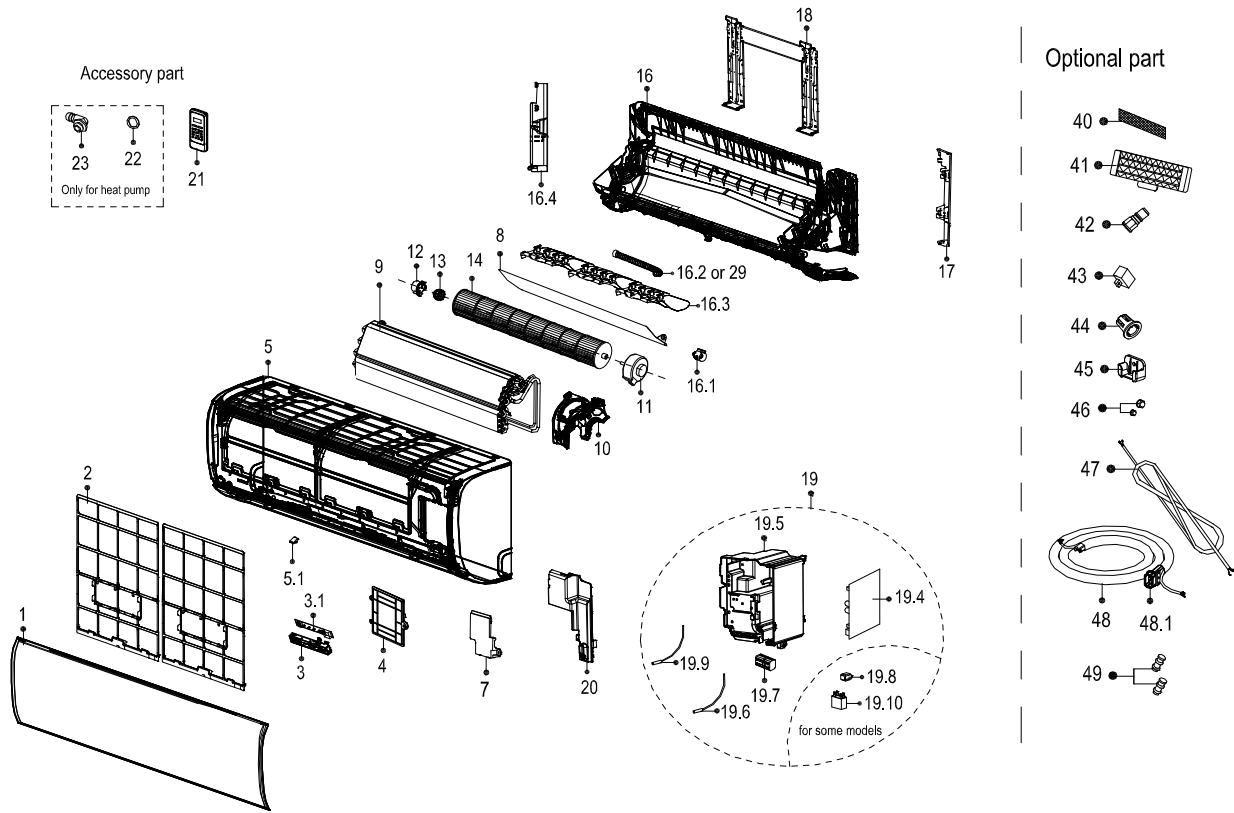


ComfortStar Model Number: CPS/CSA24CD(I)

Power Supply: 208-230V/60Hz/1Ph



No.	Part Name	Quantity	PART#
1	Panel Assembly	1	12122000013351
2	Air Filter	2	12122000015222
3	Display Box Subassembly	1	17222000011589
3.1	Display Board Subassembly	1	17122000022028
4	Cover Of Electrical Equipment	1	12122000013357
5	Panel Frame Assembly	1	12122000013353
5.1	Screw Cap	2	12122000013355
7	Cover Of Electrical Equipment Subassembly	1	12122000013350
8	Horizontal Louver	1	12122000013348
9	Evaporator Assembly	1	15822000004857
10	Fan Motor Cover	1	12122000013349
11	Single Phase Asynchronous Motor	1	11002012003053
12	Bearing Holder	1	12122000000350
13	Bearing Base	1	12622000000006
14	Cross Flow Fan	1	12100102000002
16	Chassis Assembly	1	12122000013341
16.1	Stepper Motor	1	11002010000049
16.3	Horizontal Louver	3	12122000013343
16.4	Front Cover Of Chassis	1	12122000013342
17	Pipe Clamp Board	1	12122000013346
18	Installation Plate	1	122220000005965
19	Electronic Control Box Subassembly (Mid-And Low-End)	1	17222000011588
19.4	Main Control Board Subassembly	1	17122000021628
19.5	Electronic Control Box Subassembly	1	12122000013004
19.6	Pipe Temperature Sensor	1	11201007000322
19.7	Wire Joint	1	17400401000094
19.8	Linear Transformer	1	11203103000305
19.9	Room Temperature Sensor	1	11201007000088
19.10	Capacitor Of Fan Motor	1	17400101000084
20	Cover Of Electronic Control Box Subassembly	1	12122000013356
21	Remote Controller	1	17317000000113
29	Drain Hose	1	12100501000032
40	Air Fresh Filter	1	121002040000685
46	Copper nut for 3/8 Pipe (9.52mm)	1	15500406000010
46	Copper nut for 5/8 Pipe (16mm)	1	15500406000003