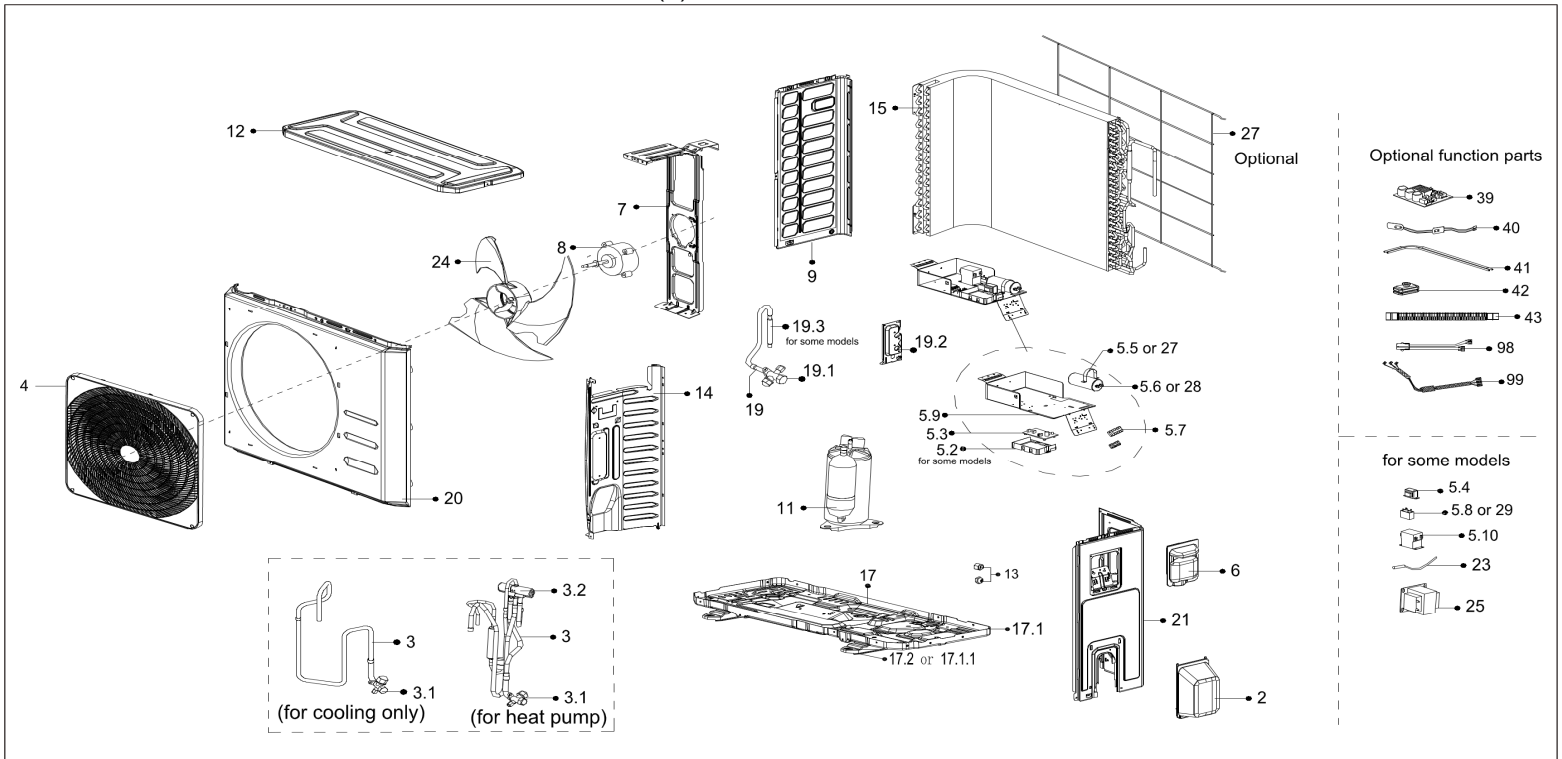


Exploded View

ComfortStar®

Model CSA36CD(O)



EX_ID	Spare Parts Code	Part Name(EN)	Qty.
2	12122000007150	Water collector	1
3	15422000005599	Gas valve assembly	1
3.1	15500204000025	Gas valve	1
4	12122000020242	Air outlet grille	1
5	17222000034362	Electronic control box subassembly	1
5.2	12122000006870	Electronic installing box	1
5.3	17122000049088	Main control board subassembly	1
5.4	11203103000206	Linear Transformer	1
5.7	17400401000096	Terminal	1
5.9	12222000005082	Installation plate of electric parts subassembly	1
5.10	11203502000010	AC contactor	1
6	12100701A00057	Big handle assembly	1
7	12222000004923	Supporter subassembly of fan motor	1
8	11002012005429	Single phase asynchronous motor	1
9	12222000004794	Left side plate assembly of cabinet	1
11	11103010000448	Fixed speed rotary compressor	1
12	12222000009205	Top cover assembly	1
14	12222000004784	Partition board assembly	1
15	15822000A16100	Condenser assembly	1
17	12222000004823	Chassis assembly	1
17.1	12222000009344	Chassis assembly	1
17.1.1	12222000004788	Footing	2
19	15422000015628	Liquid valve Assembly	1
19.1	15500208000286	Liquid valve	1
19.2	12222000002571	Valve plate	1
19.3	15500210000125	Throttle valve	1
20	12222000004822	Front panel	1
21	12222000004785	Right side plate	1
24	12100105000181	Axial flow fan	1
27	12200203000006	Capacitor clip	1
28	17400103000061	Capacitor of compressor	1
29	17400101A00484	Fan motor capacitor	1
38	1511600A00018	Connecting pipe assembly	1
99	17401203000858	Compressor wire subassembly	1