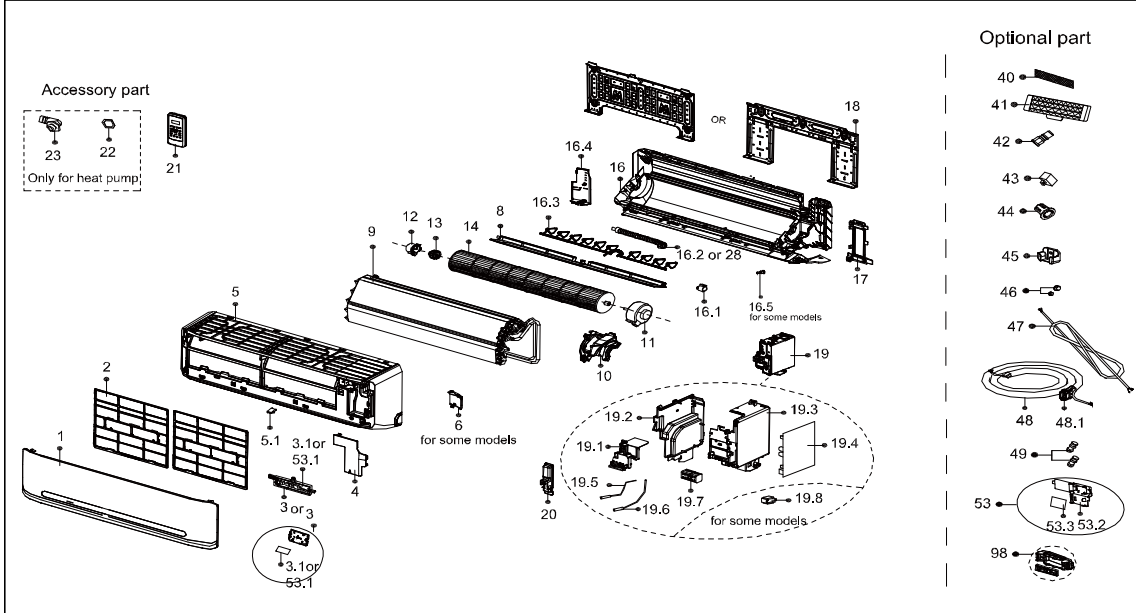


Exploded View

Sale Model:

CWI12CD(I)



No.	Part Name	Quantity	BOM Code
1	Panel assembly	1.0	12122000001521
2	Air filter	2.0	12100204000522
3	Display box assembly	1.0	17222000002878
3.1	Display board assembly	1.0	17122000006953
4	Cover of electrical equipment	1.0	12122000006755
5	Panel frame assembly	1.0	12122000001726
5.1	Screw cap	1.0	12122000009477
6	Right cover of chassis	1.0	12122000004587
8	Horizontal louver assembly	1.0	12122000005815
9	Evaporator assembly	1.0	15822000008189
10	Fan motor cover	1.0	12122000005540
11	Fan motor	1.0	11002015000051
12	Bearing holder	1.0	12122000000350
13	Bearing base	1.0	12622000000131
14	Cross flow fan	1.0	12100102000044
16	Chassis assembly	1.0	12122000011818
16.1	Louver motor	1.0	11002010000143
16.2	Drain hose	1.0	12100501000032
16.3	Vertical vane	1.0	12122000000038
16.4	Left cover of chassis	1.0	12122000010098
16.5	Insulated axis	1.0	12122000000344
17	Pipe clamp board	1.0	12122000012943
18	Installation plate	1.0	12222000000018
19	Electronic control box assembly	1.0	17222000031295
19.1	Top cover of electronic control box	1.0	12122000004577
19.2	Left side plate of Electronic control box	1.0	12122000004639
19.3	Right side plate of Electronic control box	1.0	12122000004632
19.4	Indoor main control board assembly	1.0	17122000048345
19.5	Ambient temperature sensor assembly	1.0	11201007003424
19.6	Pipe temperature sensor assembly	1.0	11201007003447
19.7	Wire joint	1.0	17400401000006
20	Cover of electronic control box	1.0	12122000005020
21	Remote Controller	1.0	17317000001294
40	Air freshening filter	1.0	12100204000685