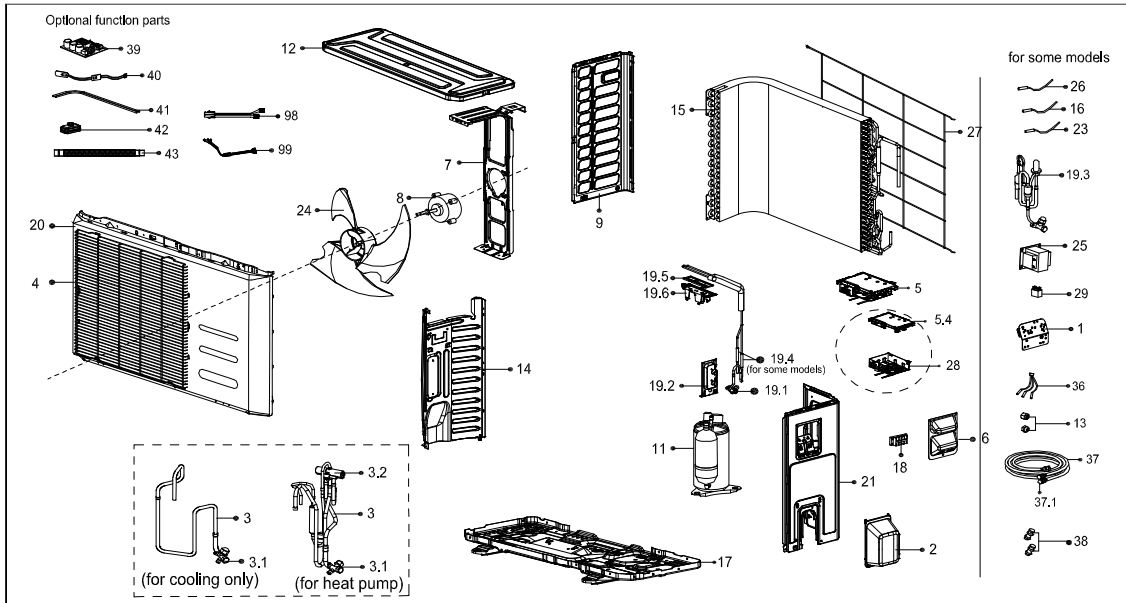


Exploded View

Sale Model:

CWI24CD(O)



| No. | Part Name | Quantity | BOM Code |
|------|---------------------------------------|----------|----------------|
| 1 | Terminal board | 1.0 | 12222000005424 |
| 2 | Water collector | 1.0 | 12122000007150 |
| 3 | 4-way valve assembly | 1.0 | 15422000007797 |
| 3.1 | Gas valve | 1.0 | 15500204000025 |
| 4 | Air outlet grille | 1.0 | 12222000011145 |
| 5 | Electronic control box assembly | 1.0 | 17222000026694 |
| 5.4 | Cover of electronic control box | 1.0 | 12122000008999 |
| 6 | Big handle | 1.0 | 12222000010966 |
| 7 | Supporter assembly of fan motor | 1.0 | 12222000005182 |
| 8 | Fan motor | 1.0 | 11002015008365 |
| 9 | Left side plate assembly | 1.0 | 12222000004831 |
| 11 | Compressor | 1.0 | 11103020002419 |
| 12 | Top cover assembly | 1.0 | 12222000004835 |
| 14 | Partition board assembly | 1.0 | 12222000005423 |
| 15 | Condenser assembly | 1.0 | 15822000003536 |
| 16 | Ambient temperature sensor assembly | 1.0 | 11201007000039 |
| 17 | Chassis assembly | 1.0 | 12222000004787 |
| 18 | Wire joint | 1.0 | 17400401000068 |
| 19 | Liquid valve assembly | 1.0 | 15422000015621 |
| 19.1 | Liquid valve | 1.0 | 15500208000286 |
| 19.2 | Valve plate | 1.0 | 12222000002571 |
| 19.5 | Radiator | 1.0 | 11203803001176 |
| 19.6 | U-Typed Support with Copper Pipe | 1.0 | 12122000011478 |
| 20 | Front panel | 1.0 | 12222000006304 |
| 21 | Right side plate | 1.0 | 12222000004830 |
| 23 | Pipe temperature sensor assembly | 1.0 | 11201007000136 |
| 24 | Axial flow fan | 1.0 | 12100105000181 |
| 26 | Discharge temperature sensor assembly | 1.0 | 11201007000157 |
| 27 | Rear net | 1.0 | 12222000004833 |
| 28 | Electronic control box assembly | 1.0 | 12222200002695 |
| 99 | Compressor wire assembly | 1.0 | 17401203000939 |