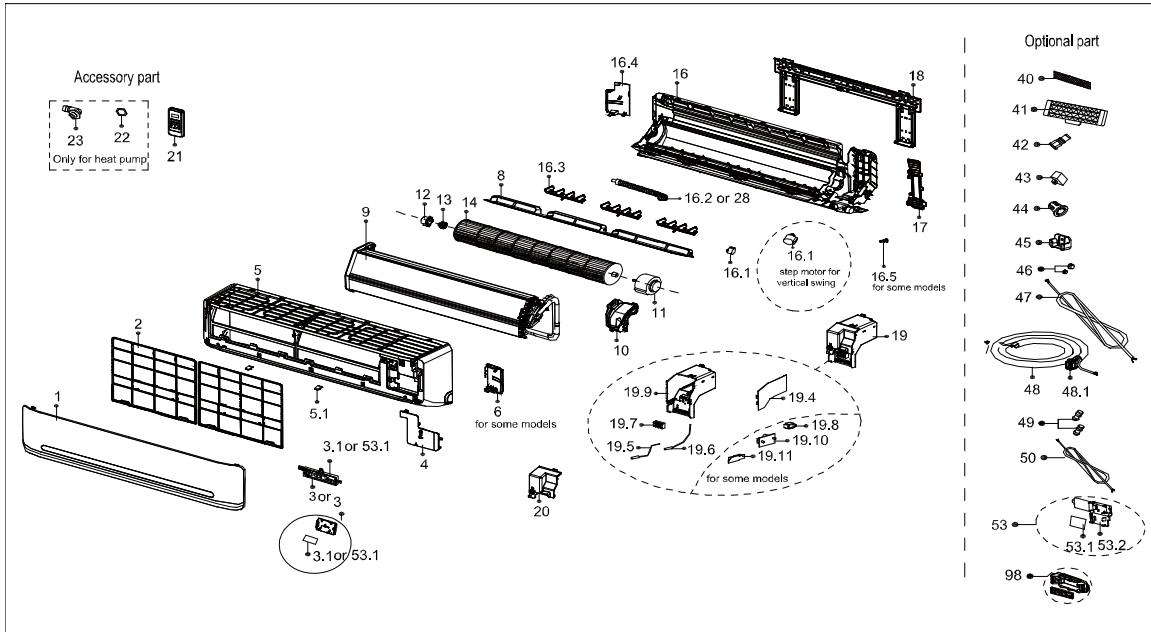


Exploded View

Sale Model:

CW124CD(I)



No.	Part Name	Quantity	BOM Code
1	Panel assembly	1.0	12122000001602
2	Air filter	2.0	12100204000461
3	Display box assembly	1.0	17222000002837
3.1	Display board assembly	1.0	17122000006953
4	Cover of electrical equipment	1.0	12122000006733
5	Panel frame assembly	1.0	12122000001956
5.1	Screw cap	2.0	12122000008242
6	Right cover of chassis	1.0	12122000004608
8	Horizontal louver assembly	1.0	12122000006335
9	Evaporator assembly	1.0	15822000008175
10	Fan motor cover	1.0	12122000005512
11	Fan motor	1.0	11002012003053
12	Bearing holder	1.0	12122000000350
13	Bearing base	1.0	12622000000131
14	Cross flow fan	1.0	12100102000018
16	Chassis assembly	1.0	12122000011879
16.1	Louver motor	1.0	11002010000049
16.2	Drain hose	1.0	12100501000032
16.3	Vertical vane	3.0	12122000000135
16.4	Left cover of chassis	1.0	12122000004614
16.5	Insulated axis	1.0	12122000000344
17	Pipe clamp board	1.0	12122000012942
18	Installation plate	1.0	12222000000026
19	Electronic control box assembly	1.0	17222000026693
19.4	Indoor main control board assembly	1.0	171220000040795
19.5	Ambient temperature sensor assembly	1.0	11201007003425
19.6	Pipe temperature sensor assembly	1.0	11201007003445
19.7	Wire joint	1.0	17400401000006
19.9	Electronic installing box	1.0	12122000020327
19.10	Power module assembly	1.0	17122000008083
20	Cover of electronic control box	1.0	12122000005024
21	Remote Controller	1.0	17317000001294
40	Air freshening filter	1.0	12100204000685
46	Copper nut	1.0	15500406000010
46	Copper nut	1.0	15500406000003