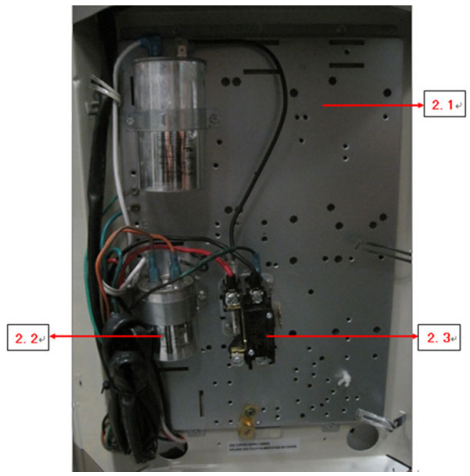
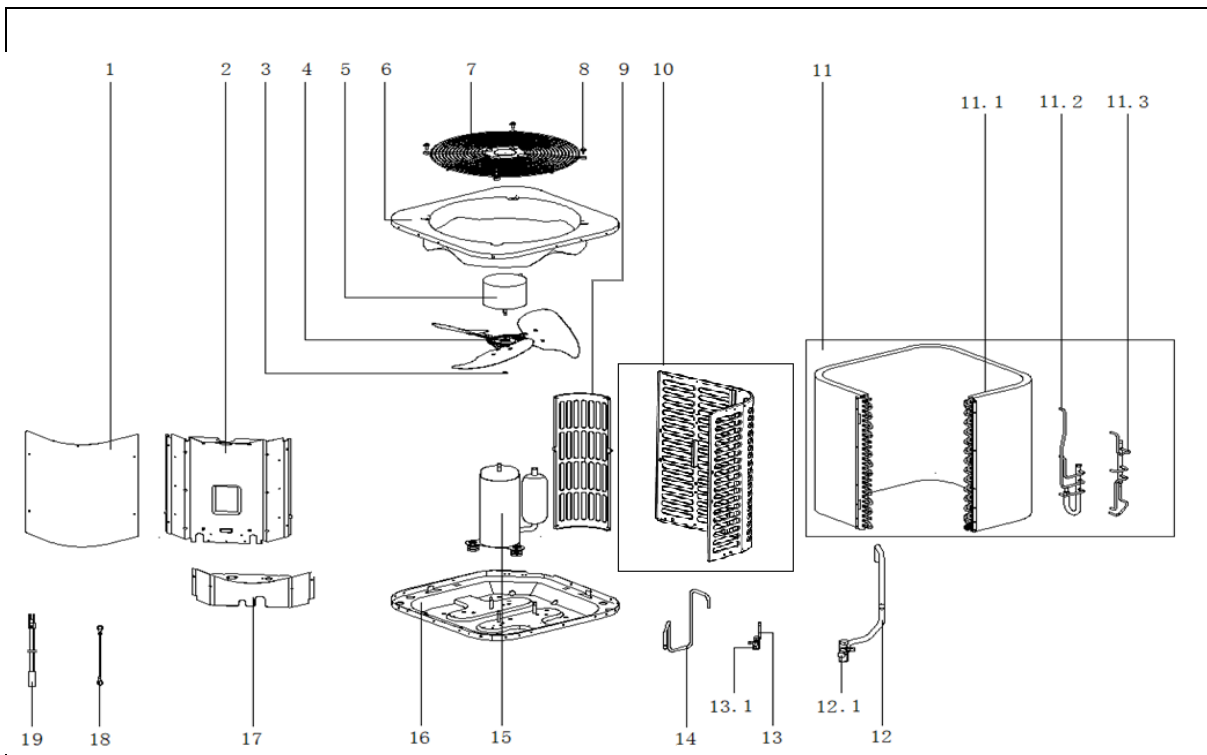


Market model:

MAH24-410



No.	Part Name	Quantity	BOM Code	Price	Remark
1	Top air outlet cover	1	12223100000223		
2	E-part box assembly	1	17223000A02518		
2.1	Installation plate of electric parts subassembly	1.0	12223100000379		
2.2	Capacitor	1.0	17400103000148		
2.3	Capacitor	1.0	17400103000152		
2.4	AC contactor	1.0	11203502000032		
3	Nut	1	11301512000143		
4	Fan,3 blade count,Aluminum alloy galvanized,	1	12200104000008		
5	Motor,208/230V 60Hz 1Ph, 0.6A,1075RPM, C	1	11002012001336		
6	Top cover assembly	1	12223000005912		
7	Grille	1	12923000000033		
8	Stainless steel bolts	4	11301002000001		
9	Support Plate	3	12223000A02329		
12	Condenser assy'	1	15823000000684		
12.1	Condenser coil	1.0	15823000000588		
12.2	Condenser inlet pipe assy'	1.0	15123000002039		
12.3	Condenser outlet pipe assy'	1.0	15123000002017		
13	Low pressure valve ass'y	1	15423000000572		
13.1	Block valve	1.0	15500206000026		
14	Stop valve ass'y	1	15423000003178		
14.1	Block valve	1.0	15500206000018		
15	Discharge pipe	1	15123000005461		
16	Fixed speed rotary compressor	1	11103010000661		
17	Chassis assembly	1	12223100000373		
19	Outlet pipe 5, condenser	1	15123000002288		
20	Green ground line	1	17401110000020		
21	Compressor wire joint ass'y	1	17401203001243		