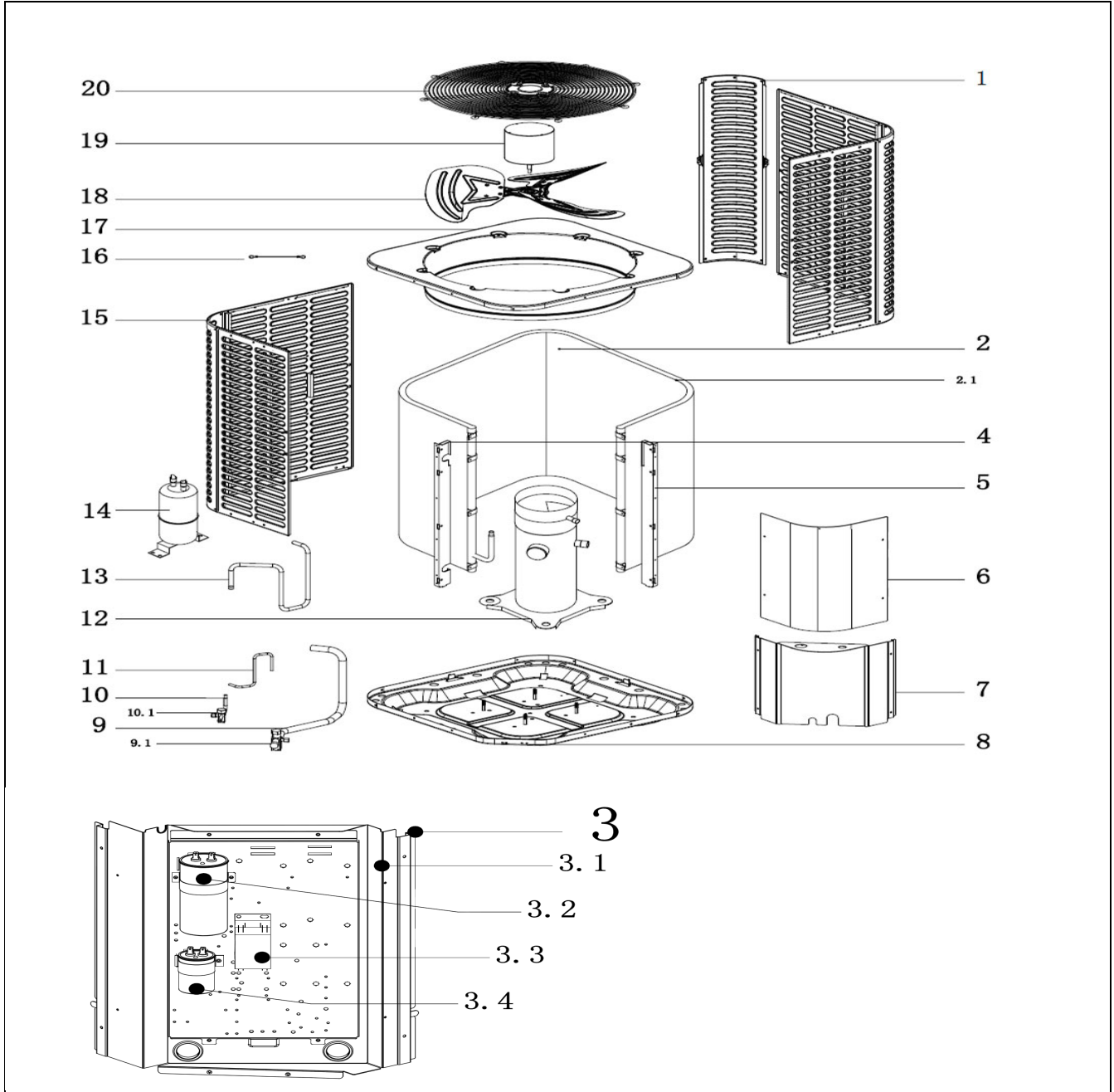


Market model:

MAH36-410



EX_ID	Part Name(EN)	Spare Parts Code	Qty.	Price	Remark2
1	Support plate assembly	12223000A02332	3		
2	Condenser ass'y	15823000002432	1		
2.1	Condenser	15823000000553	1		
3	E-part box assembly	17223000007382	1		
3.1	Installation plate of electric parts subassembly	12223000010790	1		
3.2	Capacitor	17400103000150	1		
3.3	AC contactor	11203502000032	1		
3.4	Capacitor	17400103000152	1		
4	Left sideboard ass'y of condenser	12223000002499	1		
5	Right sideboard ass'y of condenser	12223000002490	1		
6	Top air outlet cover	12223100000223	1		
7	Clapboard assembly	12223100000345	1		
8	Base assembly	12223000002438	1		
9	Stop valve ass	15423000005382	1		
9.1	Block valve	15500206000026	1		
10	High pressure valve ass'y	15423000002814	1		
10.1	Block valve	15500206000018	1		
11	Connecting pipe between valve and accumulator	15123000008228	1		
12	Fixed speed scroll compressor	11102010000410	1		
13	Air discharge pipe assembly	15123000012356	1		
14	Accumulator	15500508000126	1		
15	Side panel assembly	12223000A02334	2		
15	Side panel assembly	12223000A02336	2		
16	Compressor wire joint ass'y	17401203001230	1		
17	Top cover assembly	12223000005912	1		
18	Fan,3 blade count,Aluminum alloy galvanized,D 18-7/8in	12200104000008	1		
19	Motor	11002012000769	1		
20	Grille	12923000000033	1		