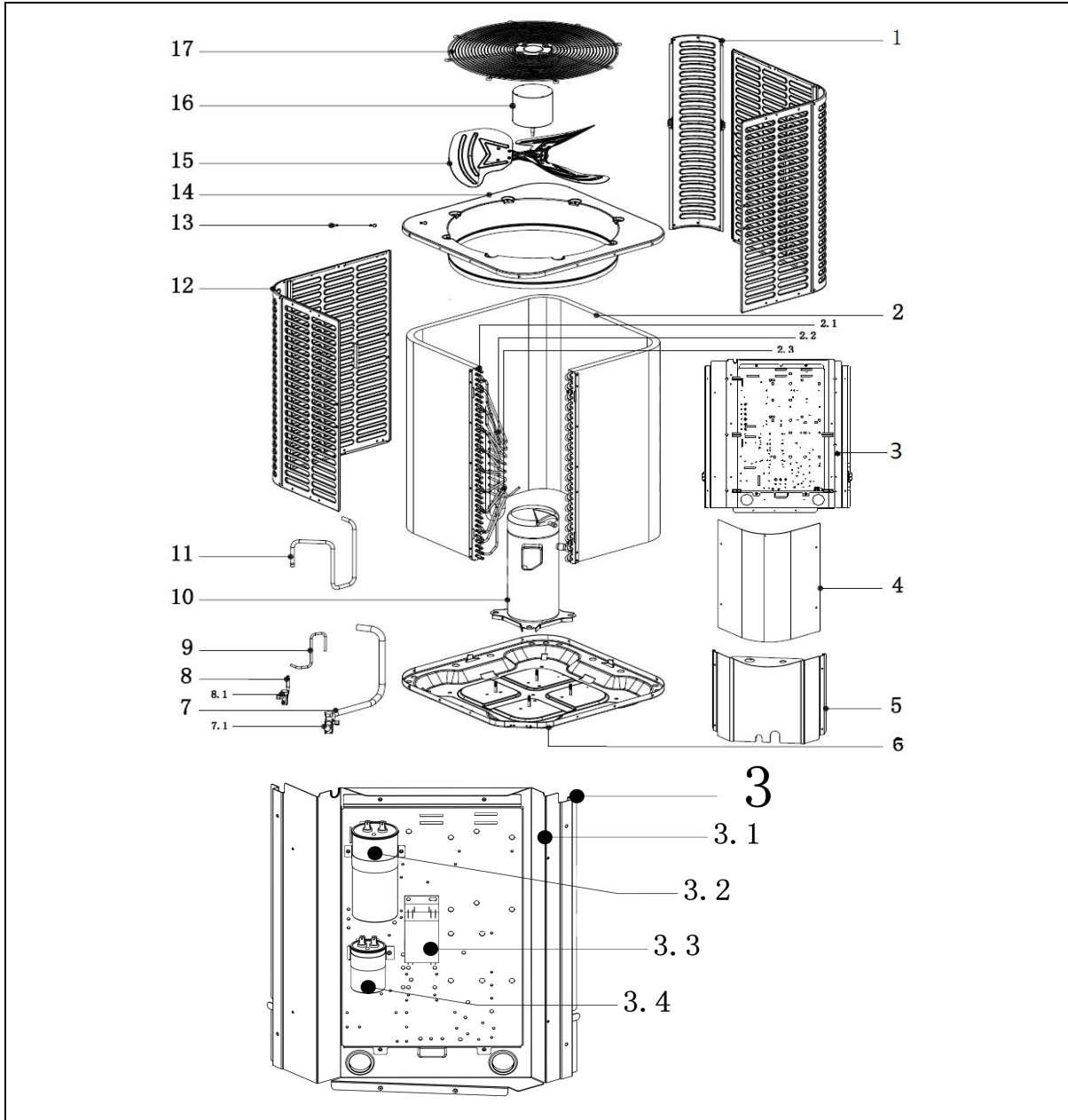


Market model:

MAH60-410



No.	Part Name	Quantity	BOM Code	Price	Remark
1	Supporting board	1.0	12223100000243		
2	Condenser assembly	1.0	15823000002431		
2.1	Condenser	1.0	15823000002923		
2.2	Output pipe assembly I of condenser	1.0	15123000002018		
2.3	Input pipe assembly I of condenser	1.0	15123000002034		
3	E-part box assembly	1.0	17223000A06437		
3.1	Installation board assembly	1.0	12223000010791		
3.3	AC contactor	1.0	11203502000032		
3.4	Capacitor	1.0	17400103000151		
4	Upper side plate	1.0	12223100000223		
5	Clapboard assembly	1.0	12223100000240		
6	Base assembly	1.0	12223000005895		
7	Low pressure valve assembly	1.0	15423000001322		
7.1	Block valve	1.0	15500206000017		
8	High pressure valve assembly	1.0	15423000003178		
8.1	Block valve	1.0	15500206000018		
9	Outlet pipe of condenser	1.0	15123100000120		
10	Compressor	1.0	11102010000369		
11	Discharge pipe	1.0	15123000012359		
12	Side board assembly	2.0	12223000005909		
13	Compressor wire joint assembly	1.0	17401203001230		
14	Top cover assembly	1.0	12223000001097		
15	Fan	1.0	12200104000032		
16	Motor	1.0	11002012000741		
17	Grille	1.0	12923000000028		