

Sale Model:

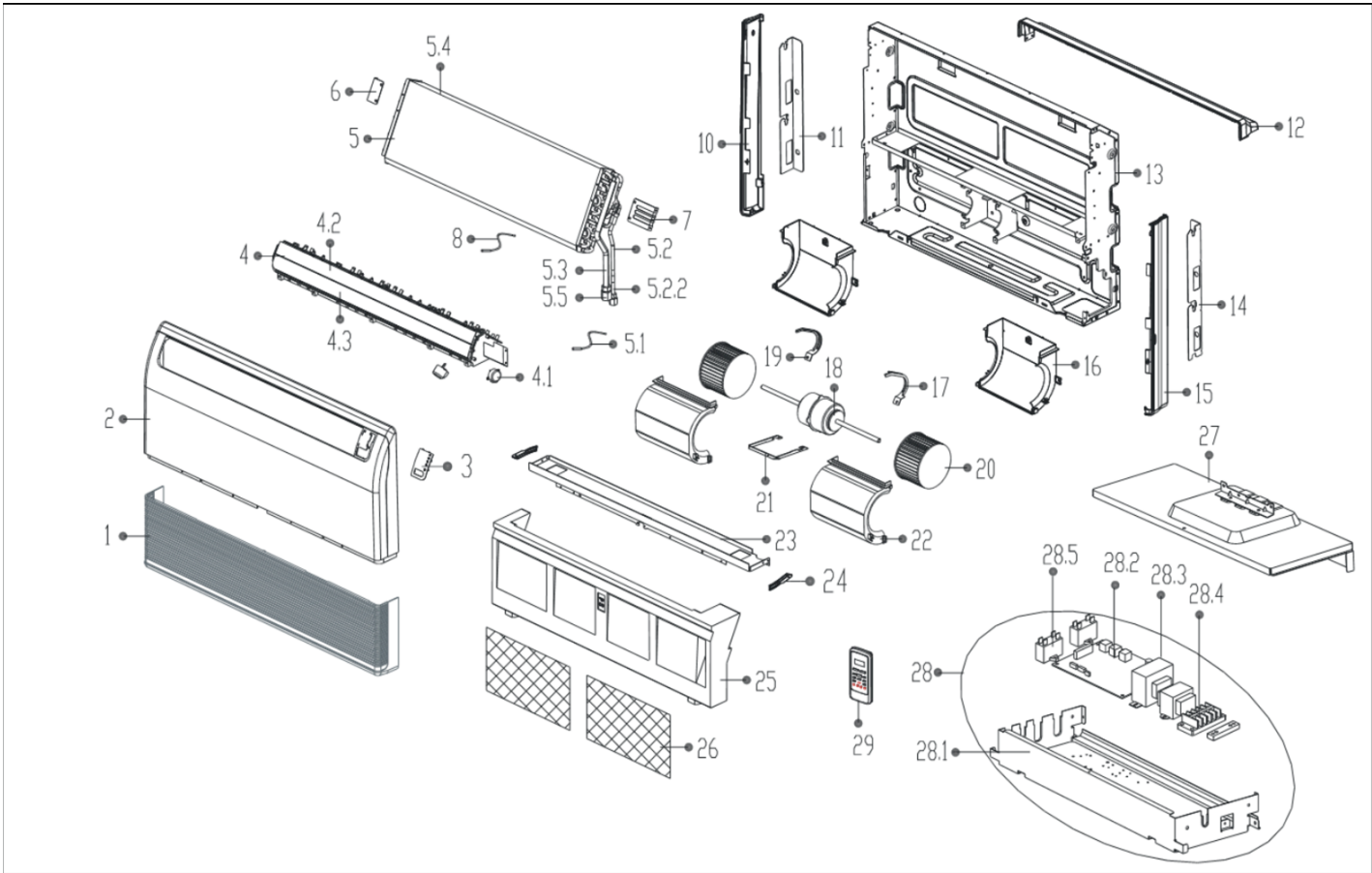
NEO24SC-SA

Power Supply:

220-230V~ 60Hz 1Phase

Export Time:

2016-06-25 10:09:44



No.	Part Name	Quantity	BOM Code
1	Grille	1.0	12122700000098
2	Panel ass'y	1.0	12122700000166
3	VLED Display Module	1.0	17122700000002
4	Air outlet frame ass'y	1.0	12122700000074
4.1	Stepper motor	1.0	11002010000546
4.1	stepper motor	1.0	11002010000052
4.2	Upper Horizontal Louver	1.0	12122700000066
4.3	Lower Horizontal louver	1.0	12122700000053
5	Evaporator assembly Gas valve assembl	1.0	15822700000094
5.1	Temperature Sensor	1.0	11201007000006
5.2	Input pipes of Evaporator assemblyJoint	1.0	15122700000369
5.2.2	Throttling valve	1.0	15500210000217
5.3	Outlet Pipes of Evaporator	1.0	15122700000179
5.4	Evaporator	1.0	15822700000222
5.5	Copper net	1.0	15500406000003
6	Evaporator right clapboard	1.0	12222700000038
7	Evaporator left clapboard	1.0	12222700000033

8	Room Temperature Sensor	1.0	11201007000143
10	Cover	1.0	12122700000085
11	Valve plate	1.0	12222700000086
12	Rear cover	1.0	12122700000092
13	Chassis Assembly	1.0	12222700000070
14	Valve plate	1.0	12222700000017
15	Left cover	1.0	12122700000091
16	Volute shell	2.0	12122700000112
17	Motor clamp	1.0	12222500000253
18	Single-phase Asynchronous Motor	1.0	11002012002793
19	Motor clamp	1.0	12222500000255
20	Centrifugal Fan Assembly	2.0	12100103000033
21	Motor Boarding	1.0	12222700000079
22	Volute shell	2.0	12122700000048
23	Upper middle beam	1.0	12222700000028
24	Grille clamp	2.0	12122700000029
25	Water receiver subassembly	1.0	12822700000013
26	Filter	2.0	12100204000681
27	E-part box cover	1.0	12222700000057
28	E-Parts Box Subassembly of Indoor Unit	1.0	17222700000056
28.1	E-Part box	1.0	12222700000080
28.2	Indoor Main Control Board Subassembly	1.0	17122700000086
28.4	Wire joint	1.0	17400401000058
28.5	Capacitor	1.0	17400101000043
29	Remote controller	1.0	17317000A01209