

Sale Model:

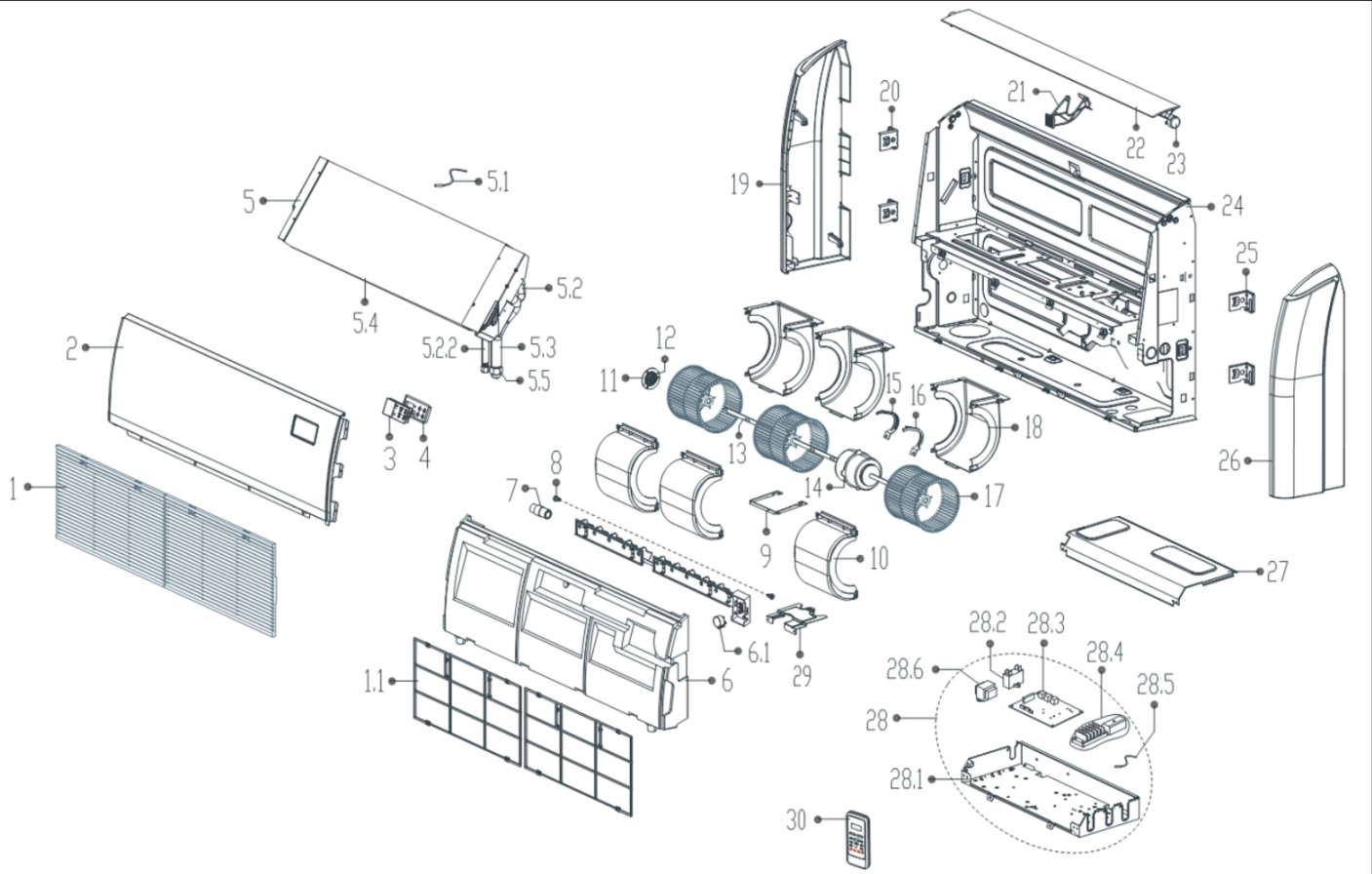
NEO36SC-SA

Power Supply:

220-230V~ 60Hz 1Phase

Export Time:

2016-07-07 18:22:36



No.	Chinese Name	Part Name	Quantity	BOM Code		
1		Air inlet grille assembly I	2	12122700000096		
1.1		Air filter	1	12100204000718		
2		Top cover assembly	1	12222700000094		
3		Display board assembly	1	17122700000005		
4		Display installation box	1	12122700000044		
5		Evaporator assembly	1	15822700000797		
5.1		Pipe temperature sensor assembly	1	11201007000006		
5.2		Input pipe assembly	1	15122700000367		
5.2.2		Throttle valve	1	15500210000217		
5.3		Output pipe assembly	1	15122700000205		
5.4		Evaporator	1	15822700000580		
5.5		Copper nut	1	15500406000008		
6		Water collector	1	12822700000011		
6.1		Louver motor (vertical)	1	11002010000546		
7		Coupling	1	12923000000004		
8		Insulated axis	2	12122000000344		
9		Fan motor fixing board	1	12222700000079		

10	Volute shell (above)	3	12122700000049
11	Bearing fixing board	1	12222000003769
12	Bearing base	1	12622000000013
13	Connecting shaft	1	12922700000004
14	Asynchronous motor	1	11002012009822
15	Fan motor axes clamp (right)	1	12222500000255
16	Fan motor axes clamp (left)	1	12222500000253
17	Centrifugal fan	3	12100103000165
18	Volute shell (below)	3	12122700000113
19	Right cover	1	12122700000087
20	Right hook	2	12222700000018
21	Supporter of louver	1	12122700000150
22	Louver	1	12122700000058
23	Louver motor	1	11002010000057
24	Chassis assembly	1	12222700000185
25	Left hook	2	12222700000016
26	Left cover	1	12122700000093
27	Cover of electronic control box	1	12222700000058
28	Electronic control box assembly	1	17222700000017
28.1	Electronic control box	1	12222700000083
28.2	Capacitor	1	17400101000040
28.3	Main control board assembly	1	17122700000038
28.4	Wire joint	1	17400401000057
28.5	Ambient temperature sensor assembly	1	11201007000073
28.6	Transformer	1	11203103000065
28.6	Transformer	1	11203103000160
29	Pipe clamp board	1	12222700000054
30	Remote controller	1	17317000A01209