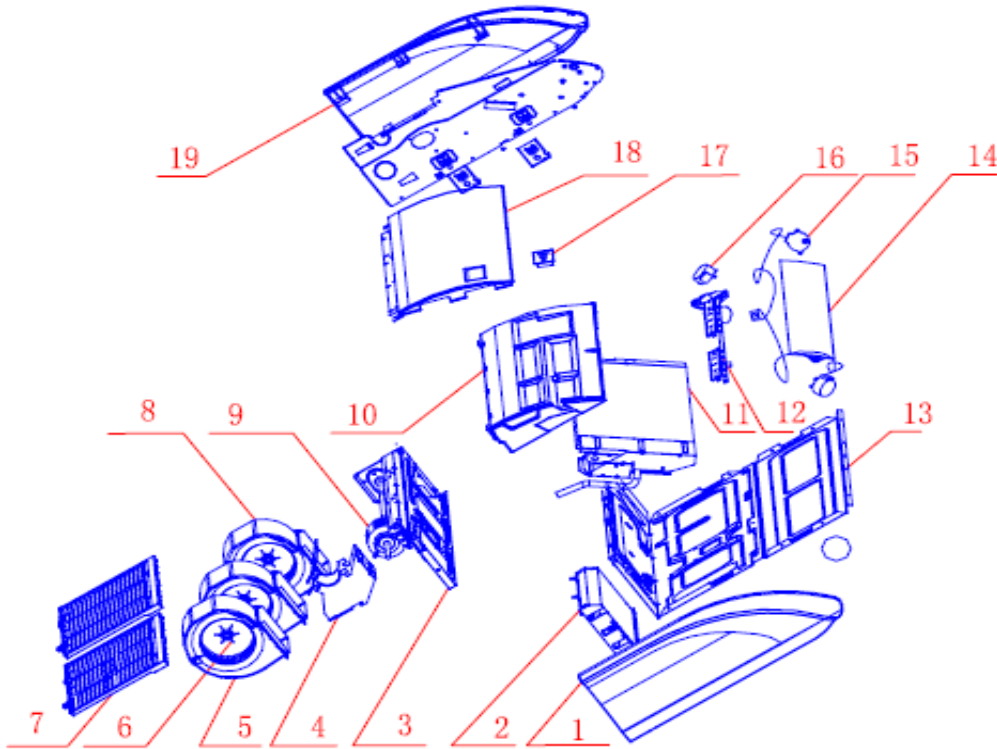


ComfortStar Model Number: NEO36SC-T

Power Supply: 208-230V~/1PH/60Hz

ComfortStar®



No	Code	Part Name	Q'ty
1	230700477	Left plate assembly	1
2	230800706	Electronic box	1
3	230800973	Middle plate	1
4	230800709	Supporter for fan motor	1
5	230700583	Down foam shell	3
6	230700575	Indoor fan	3
7	230700493	Filter	2
8	230700582	Up foam shell	3
9	230900250C	Indoor fan motor	1
10	234101665	Drain tray assembly	1
11	231232094	Evaporator subassembly	1
12	230700481	Vertical Vane	1
13	230800972	Base plate	1
14	230700602	Supporter of horizontal vane	1
15	230900267	Vane motor	1
16	230804642	Bearing Mount	1
17	230700480	Screw cover	1
18	230800723	Front panel	1
19	230700478	Right plate assembly	1
20	1090051032	Remote	1
21	230900384	Main PCB	1
22	1170240009	Transformer	1
23	230904898	Room sensor	1
24	230904902	Pipe sensor	1

25	230901272A	Indoor fan capacitor	1
26	230900260	Display PCB	1