

Sale Model:

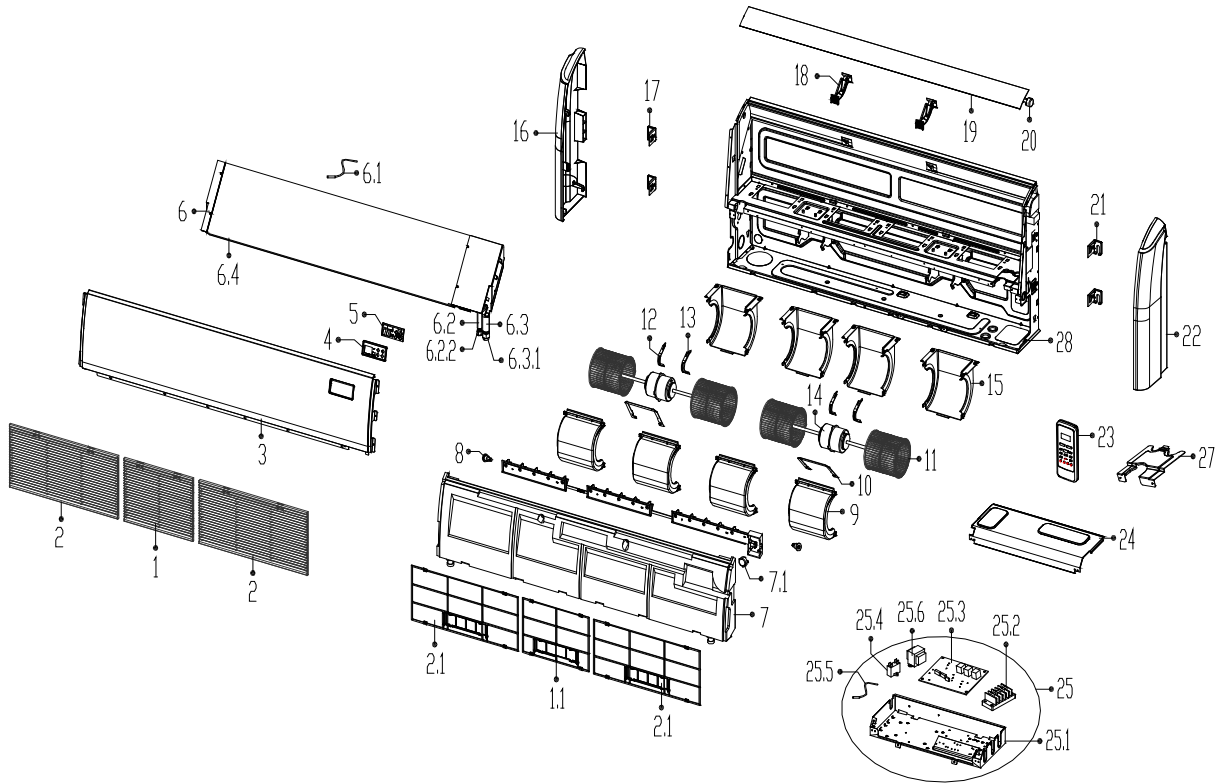
NEO48SC-SA

Power Supply:

220_230V_1Ph,FREQUENCY_60HZ

Export Time:

2016-06-25 10:09:33



No.	Part Name	Quantity	BOM Code
1	Air Returning Grille Subassembly	1.0	12122700000103
1.1	Air Filter	1.0	12100204000719
2	Air Returning Grille Subassembly	2.0	12122700000096
2.1	Air Filter	1.0	12100204000718
3	Top cover	1.0	12222700000093
4	Display panel box	1.0	12122700000044
5	VLED Display Module	1.0	17122700000005
6	Evaporator assembly	1.0	15822700000697
6.1	Temperature Sensor	1.0	11201007000006
6.2	Input pipes of Evaporator assembly	1.0	15122700000336
6.2.2	Throttling valve	1.0	15500210000133
6.3	Outlet Pipes of Evaporator	1.0	15122700000195
6.3.1	Brass Nut	1.0	15500406000005
6.3.1	Brass Nut	1.0	15500406000005
6.4	Evaporator	1.0	15822700000620
7	Water receiver subassembly	1.0	12822700000009
7.1	Stepper motor	1.0	11002010000546

8	Electricity preventing axis	2.0	12122000000344
9	Upper Volute	4.0	12122700000049
10	Motor Boarding	2.0	12222700000079
11	Plastic Fan Wheel	4.0	12100103000165
12	Motor clamp	2.0	12222500000255
13	Motor clamp	2.0	12222500000253
14	Single-phase Asynchronous Motor	2.0	11002012001396
15	Lower Scroll	4.0	12122700000113
16	Cover plate (right)	1.0	12122700000087
17	Installation Right Hanger	2.0	12222700000018
18	Guide holder	2.0	12122700000150
19	Subassembly of Air Guide Strip	1.0	12122700000059
20	stepper motor	1.0	11002010000057
21	Installation Left Hanger	2.0	12222700000016
22	Cover plate (left)	1.0	12122700000093
23	Remote controller	1.0	17317000A01209
24	E-Part Box Cover Subassembly	1.0	12222700000058
25	Electrical Control Box Subassembly	1.0	17222700000054
25.1	Welding Parts of Electrical Control Box	1.0	12222700000083
25.2	Terminal block	1.0	17400401000057
25.3	Indoor Main Control Board Subassembly	1.0	17122700000038
25.4	Capacitor	2.0	17400101000043
25.5	Room Temperature Sensor	1.0	11201007000073
25.6	Power Transformer	1.0	11203103000065
25.6	Power Transformer	1.0	11203103000160
27	Connecting pipe clamp	1.0	12222700000054
28	Chassis Assembly	1.0	12222700000184