

Sale Model:

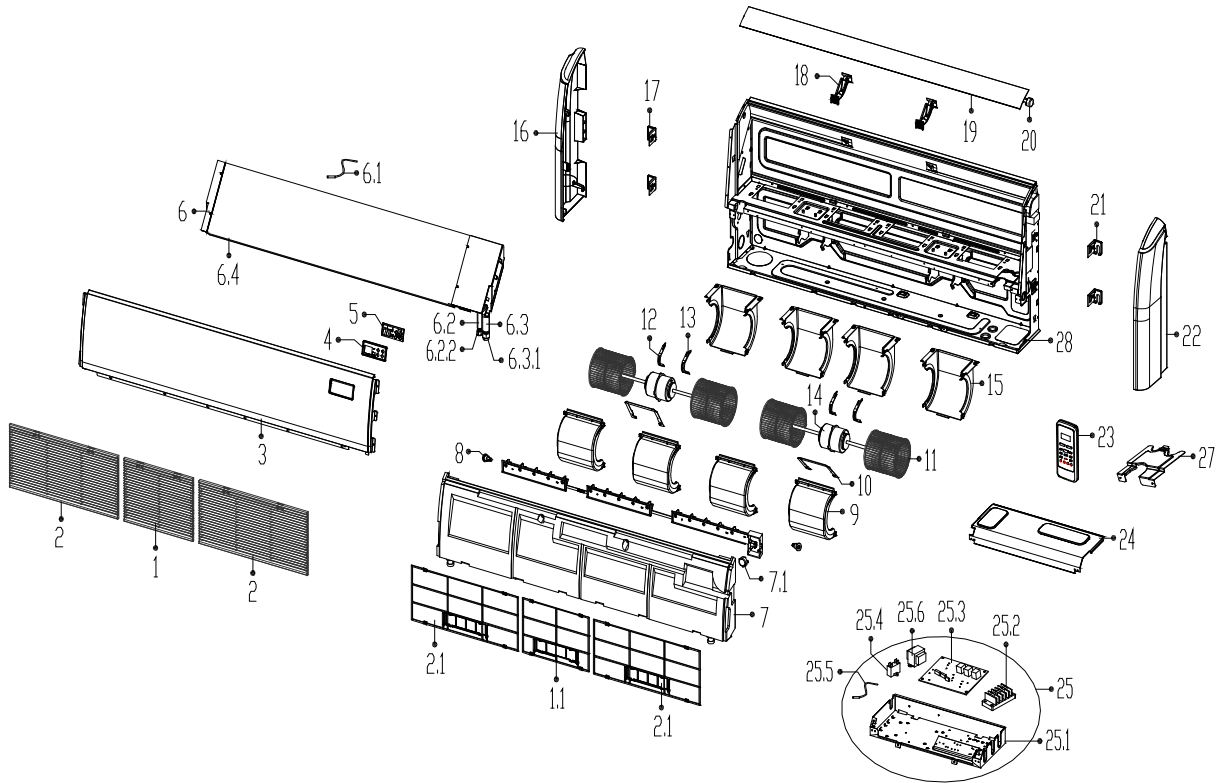
NEO60SC-SA

Power Supply:

220\_230V\_1Ph,FREQUENCY\_60HZ

Export Time:

2016-07-07 18:22:32



No.	Part Name	Quantity	BOM Code
1	Air inlet grille assembly II	1	12122700000103
1.1	Air filter I	1	12100204000719
2	Air inlet grille assembly I	2	12122700000096
2.1	Air filter II	1	12100204000718
3	Top cover assembly	1	12222700000093
4	Display installation box	1	12122700000044
5	Display board assembly	1	17122700000005
6	Evaporator assembly	1	15822700000737
6.1	Pipe temperature sensor assembly	1	11201007000006
6.2	Input pipe assembly	1	15122700000813
6.2.2	Throttle valve	1	15500210000011
6.3	Output pipe assembly	1	15122700000195
6.3.1	Copper nut	1	15500406000005
6.3.1	Copper nut	1	15500406000005
6.4	Evaporator	1	15822700000620
7	Water collector	1	12822700000009
7.1	Louver motor	1	11002010000546

8	Insulated axis	2	12122000000344
9	Volute shell (above)	4	12122700000047
10	Fan motor fixing board	2	12222700000079
11	Centrifugal fan	4	12100103000002
12	Fan motor axes clamp (right)	2	12222500000255
13	Fan motor axes clamp (left)	2	12222500000253
14	Asynchronous motor	2	11002012009821
15	Volute shell (below)	4	12122700000111
16	Right cover	1	12122700000087
17	Right hook	2	12222700000018
18	Supporter of louver	2	12122700000150
19	Louver	1	12122700000059
20	Louver motor	1	11002010000057
21	Left hook	2	12222700000016
22	Left cover	1	12122700000093
23	Remote controller	1	17317000A01209
24	Cover of electronic control box	1	12222700000058
25	Electronic control box assembly	1	17222700000054
25.1	Electronic control box	1	12222700000083
25.2	Wire joint	1	17400401000057
25.3	Main control board assembly	1	17122700000038
25.4	Capacitor	2	17400101000019
25.5	Ambient temperature sensor assembly	1	11201007000073
25.6	Transformer	1	11203103000065
25.6	Transformer	1	11203103000160
27	Pipe clamp board	1	12222700000054
28	Chassis assembly	1	12222700000061