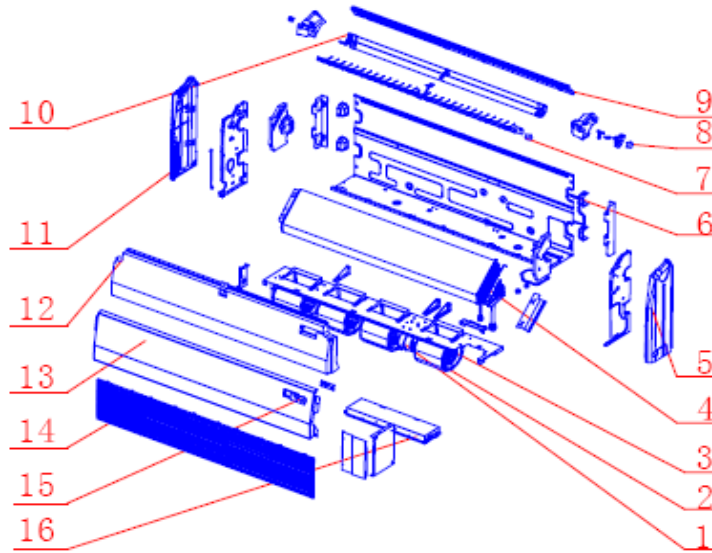


ComfortStar Model Number: NEO60SC-T

Power Supply: 208-230V~/1PH/60Hz

**ComfortStar®**



No	Code	Part Name	Q'ty
1	230901274A	Indoor fan capacitor	2
2	230700582	Up foam shell	4
	230700583	Down foam shell	4
3	230700575	Indoor fan	4
4	230900252B	Indoor fan motor	2
	231231586	Evaporator subassembly	1
5	230800974	Right plate assembly	1
6	230800982	Base plate	1
7	230700481	Vertical vane	2
8	230900268	Vane motor	1
9	230800718	Outlet panel	1
10	230700601A	Horizontal vane	1
11	230800975	Left plate assembly	1
12	230700598	Drain tray assembly	1
13	230800724	Front panel	1
14	230700493 230700492	Filter	1
15	230900260	Display PCB	1
16	230800979	Electronic box	1
17	230900384	Main PCB	1
18	230900373	Transformer	1
19	230904898	Room sensor	1
20	230904802	Pipe sensor	1
21	230900258	Terminal	1
22	1090051032	Remote	