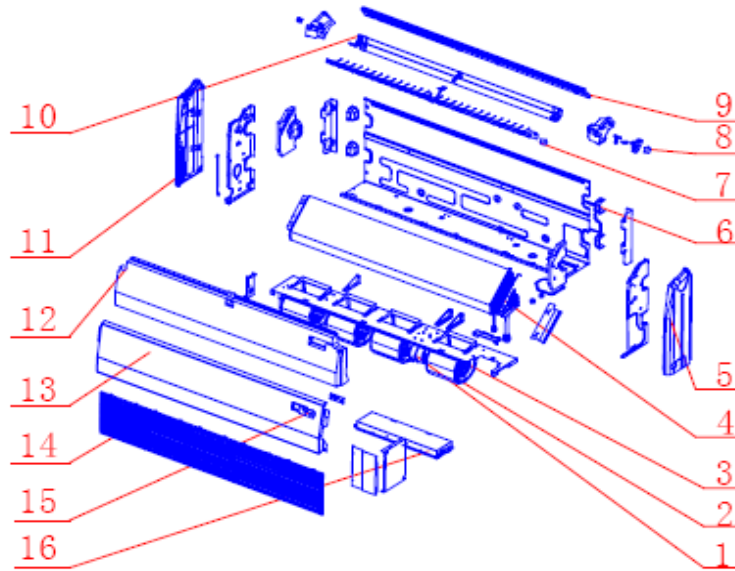


ComfortStar Model Number: NEO60SC-T

Power Supply: 208-230V~/1PH/60Hz

ComfortStar®



No	Code	Part Name	Q'ty	Remark
1	230901274A	Indoor fan capacitor	2	
2	230700582	Up foam shell	4	
	230700583	Down foam shell	4	
3	230700575	Indoor fan	4	
4	230900252B	Indoor fan motor	2	
	231231586	Evaporator subassembly	1	
5	230800974	Right plate assembly	1	
6	230800982	Base plate	1	
7	230700481	Vertical vane	2	
8	230900268	Vane motor	1	
9	230800718	Outlet panel	1	
10	230700601A	Horizontal vane	1	
11	230800975	Left plate assembly	1	
12	230700598	Drain tray assembly	1	
13	230800724	Front panel	1	
14	230700493 230700492	Filter	1	
15	230900260	Display PCB	1	
16	230800979	Electronic box	1	
17	230900384	Main PCB	1	Not shown in Explosion view
18	230900373	Transformer	1	
19	230904898	Room sensor	1	
20	230904802	Pipe sensor	1	
21	230900258	Terminal	1	
22	1090051032	Remote		