



Submittal

Split System Cooling

LUC5-48-15

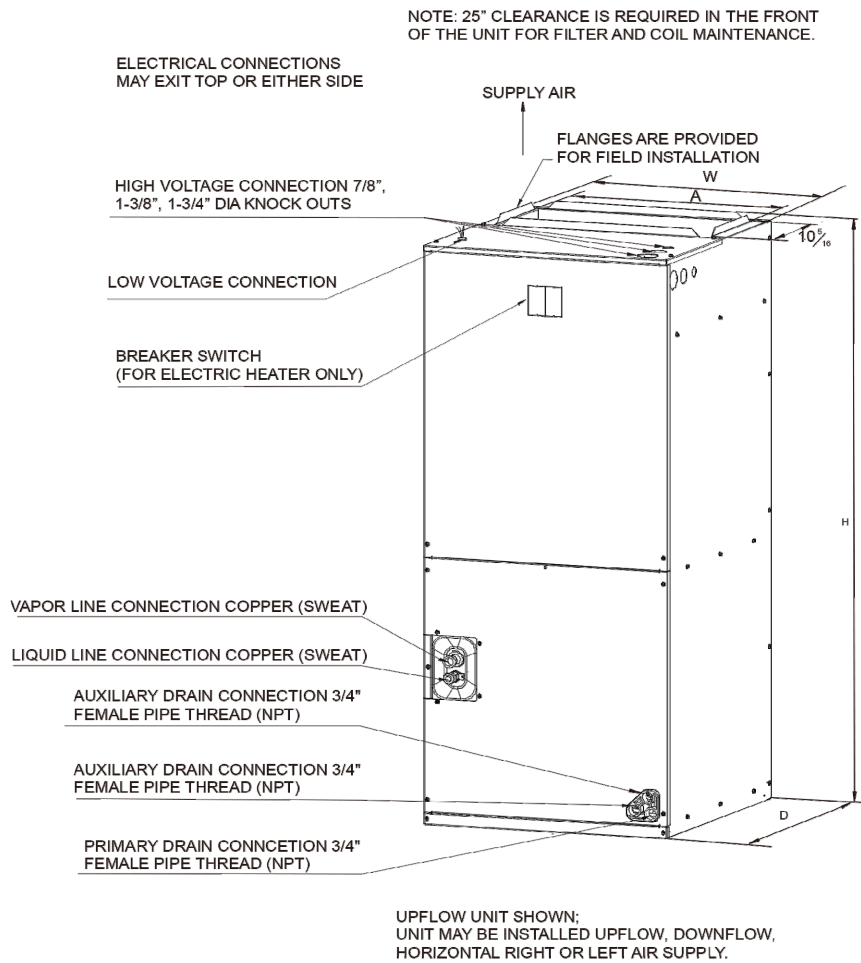
Location: _____
Engineer: _____
Submitted to: _____
Submitted by: _____
Reference: _____

Approval: _____
Date: _____
Construction: _____
Unit # : _____
Drawing # : _____



Note:" Graphics in this document are for representation only. Actual model may differ in appearance."

Indoor unit dimension



UNIT DIMENSION AND WEIGHTS	18K	24K	36K	48K	60K
Height(in.)	41-3/8	46-1/2	46-1/2	54-1/2	54-1/2
Width(in.)	18-1/8	19-5/8	19-5/8	22	22
Depth(in.)	20-1/2	21-5/8	21-5/8	24	24
Weight(lbs.)	108	128	128	159	161



Specification

	LUC5-48-15
NOMINAL RATING	
External Static Pressure(in.w.c)	1
ELECTRICAL DATA	
Voltage / Phase(60Hz)	208/230/1
Min. / Max. Voltage	187/253
Min. Circuit Amps	4
Max. Overcurrent Protection	15
FAN MOTOR	
Motor Type	PSC
Capacitor (uF)	20
Horsepower (HP)	1/2
Rated RPM	925
Full Load Amps (FLA)	3
FAN BLOWER	
Material	Metal
Type	Centrifugal
Diameter(in.)	13
Height(in.)	10-5/8
EVAPORATOR COIL	
Type	Tube & Fin
Tube Material	Aluminum
Tube Size(in.)	9/32
REFRIGERANT CONNECTION SIZE	
Liquid Line Size (O.D.)	3/8
Suction Line Size (O.D.)	7/8

Outdoor Unit	Indoor Unit	Cooling Capacity	EER2	SEER2
BAR5-30-15	LUC5-48-15	28800	11.7	14.3
BAR5-36-15	LUC5-48-15	34800	11.7	14.3
BAR5-42-15	LUC5-48-15+TXV	41500	11.7	14.3
BAR5-48-15	LUC5-48-15+TXV	44500	11.7	14.3
MAH5-30-410	LUC5-48-15	28600	11.2	13.4
MAH5-36-410	LUC5-48-15	35200	11.2	13.4
MAH5-42-410	LUC5-48-15	41500	11.2	13.4
MAH5-48-410	LUC5-48-15	46000	11.2	13.4
MAH5-60-410	LUC5-48-15+TXV	53500	11.2	13.4

Electric Heater Kits

NO.	Kit#	Description	Ref. Air Handler use
1	05	5kW Heat Strip	18,24,30,36,42,48,60
2	08	7.5kW Heat Strip	18,24,30,36,42,48,60
3	10	10kW Heat Strip	18,24,30,36,42,48,60
4	05B	Circuit Breaker, 5kW Heat Strip	18,24,30,36,42,48,60
5	08B	Circuit Breaker, 7.5kW Heat Strip	18,24,30,36,42,48,60
6	10B	Circuit Breaker, 10kW Heat Strip	18,24,30,36,42,48,60
7	15B	Circuit Breaker, 15kW Heat Strip	36,42,48,60
8	20B	Circuit Breaker, 20kW Heat Strip	36,42,48,60

MCA/MOP DATA

Heat Kit Model	Air Handler Model	(kW)Electric Heat	MIN. Circuit Ampacity		MAX.Fuse or Breaker (HACR) Ampacity	
			240	208	240	208
05(B)	18	5	21	18	30	30
08(B)		7.5	32	28	50	50
10(B)		10	42	36	60	60
05(B)	24	5	21	18	30	30
08(B)		7.5	32	28	50	50
10(B)		10	42	36	60	60
05(B)	30	5	21	18	30	30
08(B)		7.5	32	28	50	50
10(B)		10	42	36	60	60
05(B)	36	5	21	18	30	30
08(B)		7.5	32	28	50	50
10(B)		10	42	36	60	60
15B		15	64	56	30+60	30+60
20B		20	84	72	60+60	60+60
05(B)	42	5	21	18	30	30
08(B)		7.5	32	28	50	50
10(B)		10	42	36	60	60
15B		15	64	56	30+60	30+60
20B		20	84	72	60+60	60+60
05(B)	48	5	21	18	30	30
08(B)		7.5	32	28	50	50
10(B)		10	42	36	60	60
15B		15	64	56	30+60	30+60
20B		20	84	72	60+60	60+60
05(B)	60	5	21	18	30	30
08(B)		7.5	32	28	50	50
10(B)		10	42	36	60	60
15B		15	64	56	30+60	30+60
20B		20	84	72	60+60	60+60

ComfortStar®

12201 N W 107th Avenue
Miami, FL 33178
1.866.524.9898 Toll Free
305.500.9898 Office
305.500.9896 Fax
<http://www.comfortstarusa.com>



The AHRI mark indicates Comfortstar participating in the AHRI Certification program. Visit ahridirectory.org for verification of individual certified products. Comfortstar reserves the right to change design and specs without notice. Comfortstar has a policy of update the data continuously. We are committed to using environmentally conscious print practices.

LUC5-48-15 10 Nov 2022
Supersedes LUC5-48-15 (Nov.2021)

© 2022 ComfortStar