

Sale Model:

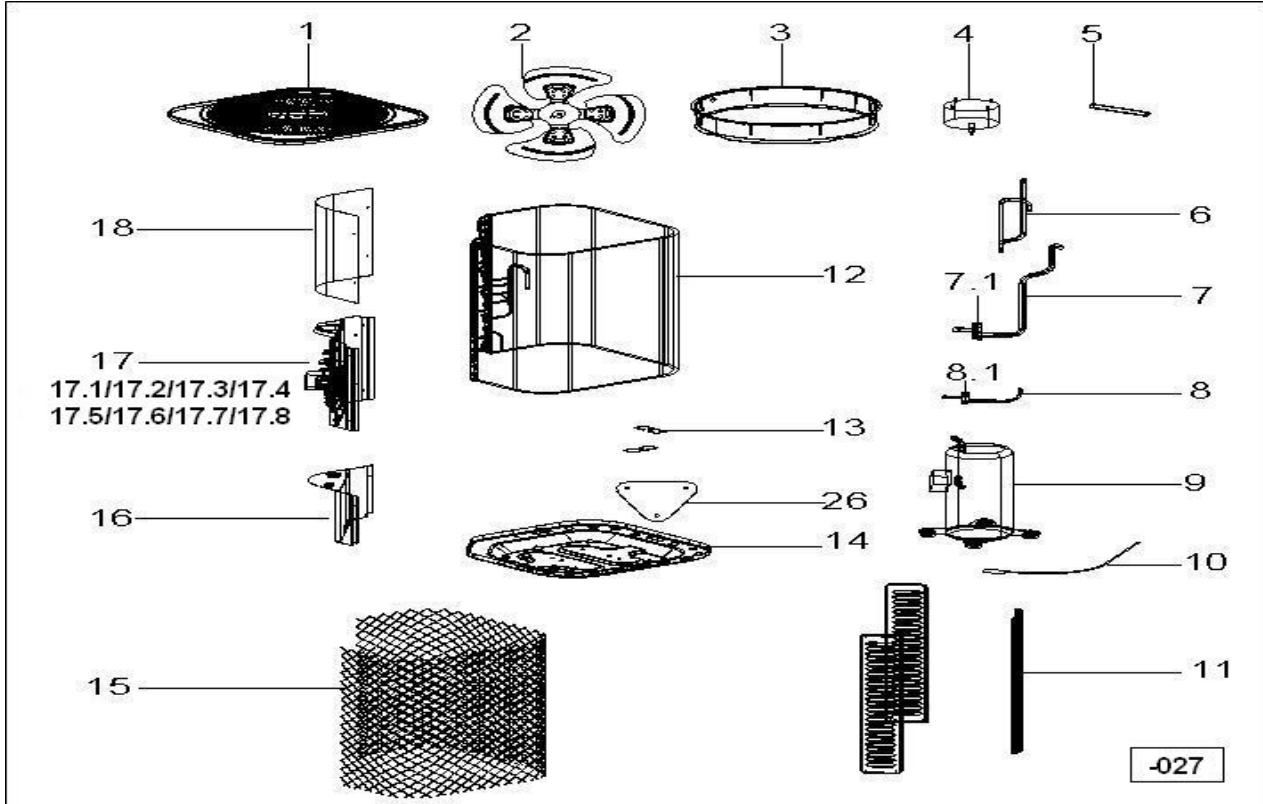
CCU36-410-SA

Power Supply:

220-230V~ 60Hz 1Phase

Export Time:

2016-07-07 18:22:29



No.	Part Name	Quantity	BOM Code	Remark
1	Top cover assembly	1	12223100000292	
2	Axial flow fan	1	12200104000001	
3	Ventilation ring	1	12123000000224	
4	Asynchronous motor	1	11002012000569	
5	Wire guide pipe	1	12123000000250	
6	Discharge pipe	1	15123100000094	
7	Gas valve assembly	1	15423000001201	
7.1	Valve body	1	15500206000003	
8	Liquid valve assembly	1	15423000001135	
8.1	Valve body	1	15500206000009	
9	Compressor	1	11103010000069	
10	Compressor wire assembly	1	17401203000876	
11	Supporting board	3	12223100000013	
12	Condenser assembly	1	15823000000804	
13	Non-slip pads I	2	12600401000019	
14	Chassis assembly	1	12223100000082	
15	Rear net	1	12123000000193	
16	Underside board assembly	1	12223100000280	
17	Electronic control box assembly	1	17223100000063	
17.1	Installation plate of electric parts	1	12223100000014	
17.2	Main control board assembly	1	17123000000687	
17.3	AC contactor	1	11203502000006	
17.4	Transformer	1	11203103000200	
17.5	Wire joint	1	17400401000012	
17.5	Wire joint	1	17400401000020	
17.5	Wire joint	1	17400401000056	
17.6	Capacitor	1	17400101000026	

17.7	Installation plate of electric parts	1	12223100000103
17.8	Capacitor	1	17400103000033
18	Side board	1	12223100000222
26	Compressor supporter	1	12223100000108