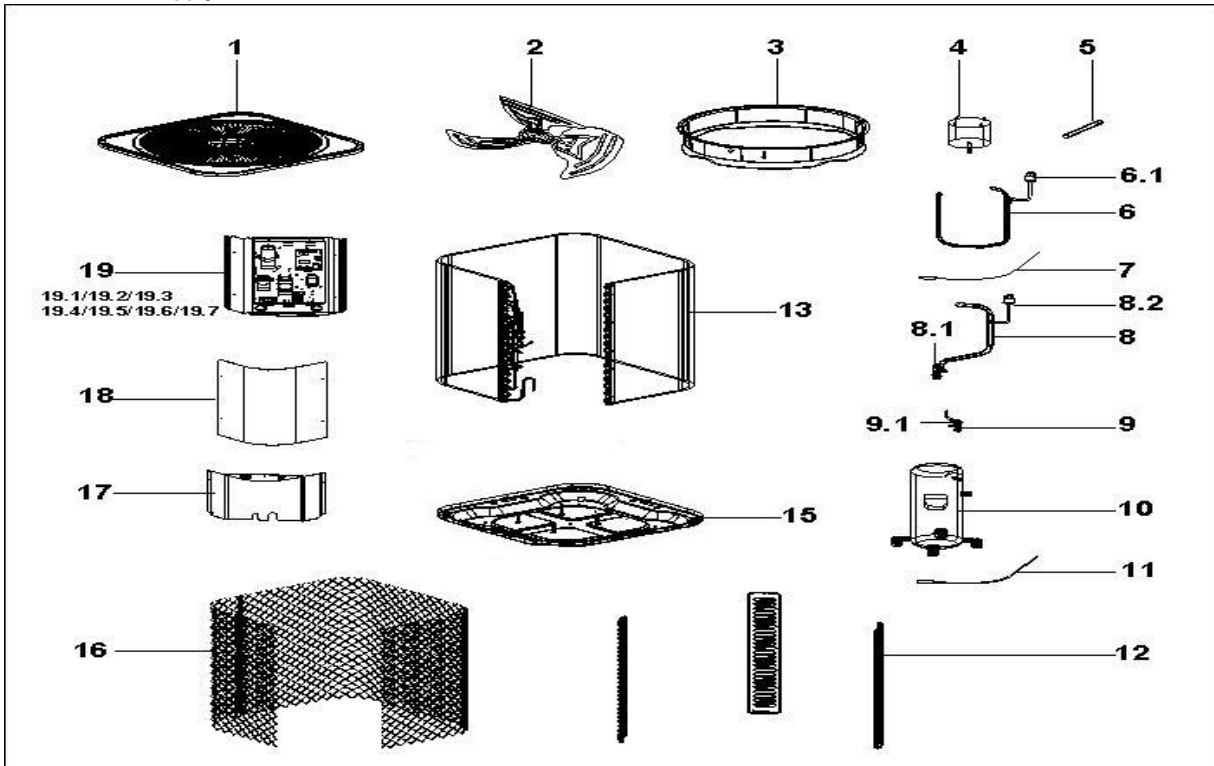


Sale Model: CCU60-410-3-SA
 Power Supply: 220V~, 60HZ, 3 Phase

Export Time: 2016-07-07 18:22:39



No.	Part Name	Quantity	BOM Code	Remark
1	Top cover assembly	1	12223100000290	
2	Axial flow fan	1	12200104000003	
3	Ventilation ring	1	12123000000246	
4	Asynchronous motor	1	11002013000323	
5	Wire guide pipe	1	12123000000252	
6	Discharge pipe assembly	1	15123100000098	
6.1	Pressure switch	1	17400516000007	
7	Discharge temperature sensor	1	17400513000004	
8	Gas valve assembly	1	15423100000012	
8.1	Valve body	1	15500206000003	
8.2	Pressure switch	1	17400516000008	
9	Liquid valve assembly	1	15423000001135	
9.1	Valve body	1	15500206000009	
10	Compressor	1	11102010000101	
11	Compressor wire assembly	1	174012030000864	
12	Supporting board	1	12223100000053	
12	Supporting board	3	12223100A00020	
13	Condenser assembly	1	15823100000184	
15	Chassis assembly	1	12223100A00053	
17	Underside board assembly	1	12223100A00135	
18	Side board	1	12223100000223	
19	Electronic control box assembly	1	17222000A07317	
19.1	Installation plate of electric parts	1	12223100000170	
19.2	Installation plate of electric parts	1	12223100A00131	
19.3	AC contactor	1	11203502000006	
19.4	Wire joint	2	17400401000012	
19.4	Wire joint	1	17400401000020	
19.4	Wire joint	1	17400401000025	
19.6	Main control board assembly	1	17123100000025	
19.7	Transformer	1	11203103000200	