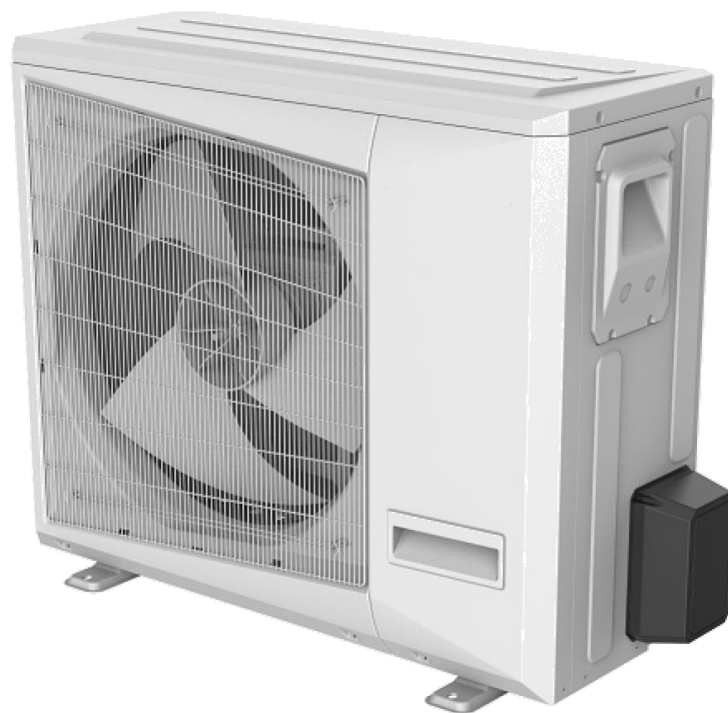




Submittal

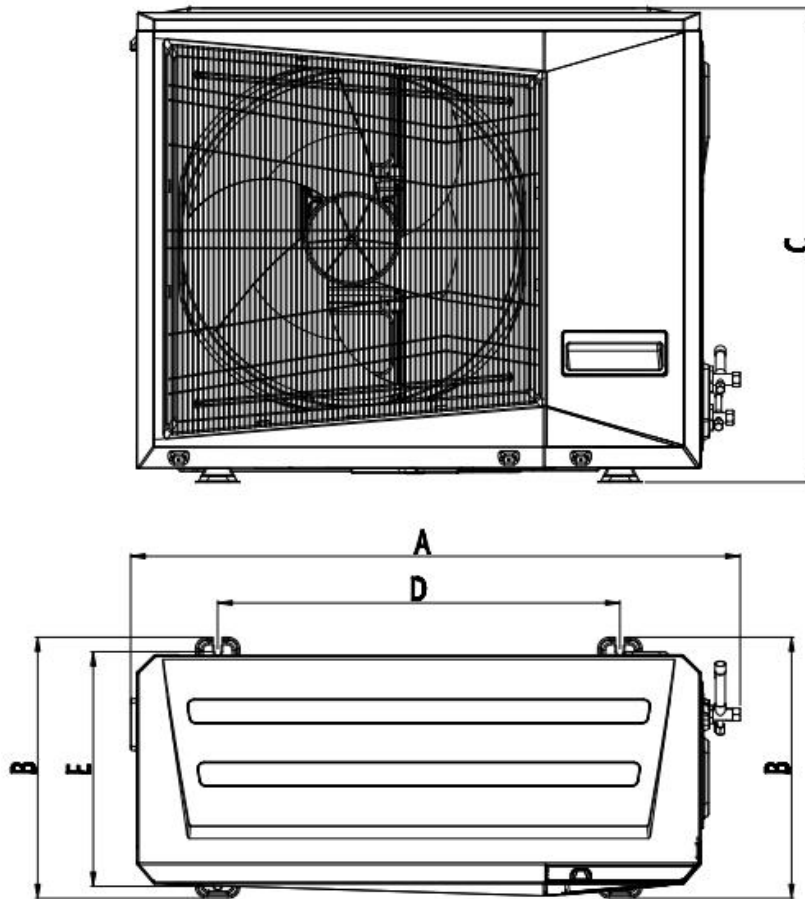
Split System Cooling

CHD18CD-14



Note: " Graphics in this document are for representation only. Actual model may differ in appearance."

Outdoor unit dimension



Units in inches

Model	A	B	C	D	E
12	33.5	13.6	21.9	20.0	11.0
18	36.0	15.0	27.6	21.4	12.8
24&30&36	40.0	17.5	31.9	26.4	15.2
48	43.3	20.8	34.3	25.0	17.4

Outdoor unit factory model			CHD18CD-14
Cooling	Power supply	Ph-V-Hz	208/230V~ 60Hz, 1Ph
	Cooling Capacity	Btu/h	17500
	SEER		14.5
	EER		12.2
Electrical parameters	Max Fuse Size		15
	MCA		10
	Alternating Current Contactor		YES(b)
	High Pressure Switch (HPS)		HPS(a)
	Discharge Temperature Switch (DTS)		DTS(a)
Outdoor air flow		m3/h	2720
		CFM	1600
Outdoor noise level		dB(A)	55
Outdoor unit	Dimension(W*D*H)	mm	914×382×702
		in	36.0x15.0x27.6
	Packing (W*D*H)	mm	975×420×770
		in	38.4x16.5x30.3
		cu in	19,198
	Net/Gross weight	Kg	48/52
lb		105.8/114.6	
CFM with rated coils		CFM	650
Refrigerant piping	Liquid O.D. in	Inch	1/4"
	Suction O.D. in	Inch	1/2"
	Max. Refrigerant Pipe Length	Ft	82
	Max. Refrigerant Line	Ft	33
Operation Range			60~115°F

ComfortStar®

12201 N W 107th Avenue
Miami, FL 33178
1.866.524.9898 Toll Free
305.500.9898 Office
305.500.9896 Fax
<http://www.comfortstarusa.com>



The AHRI Certified mark indicates Comfortstar participation in the AHRI Certification program. For verification of individual certified products, go to ahridirectory.org.

Comfortstar has a policy of continuous data improvement and it reserves the right to change design and specifications without notice. We are committed to using environmentally conscious print practices.

CHD18CD-14 22 Jun 2022
Supersedes CHD18CD-14 (Sept.2021)

© 2022 ComfortStar