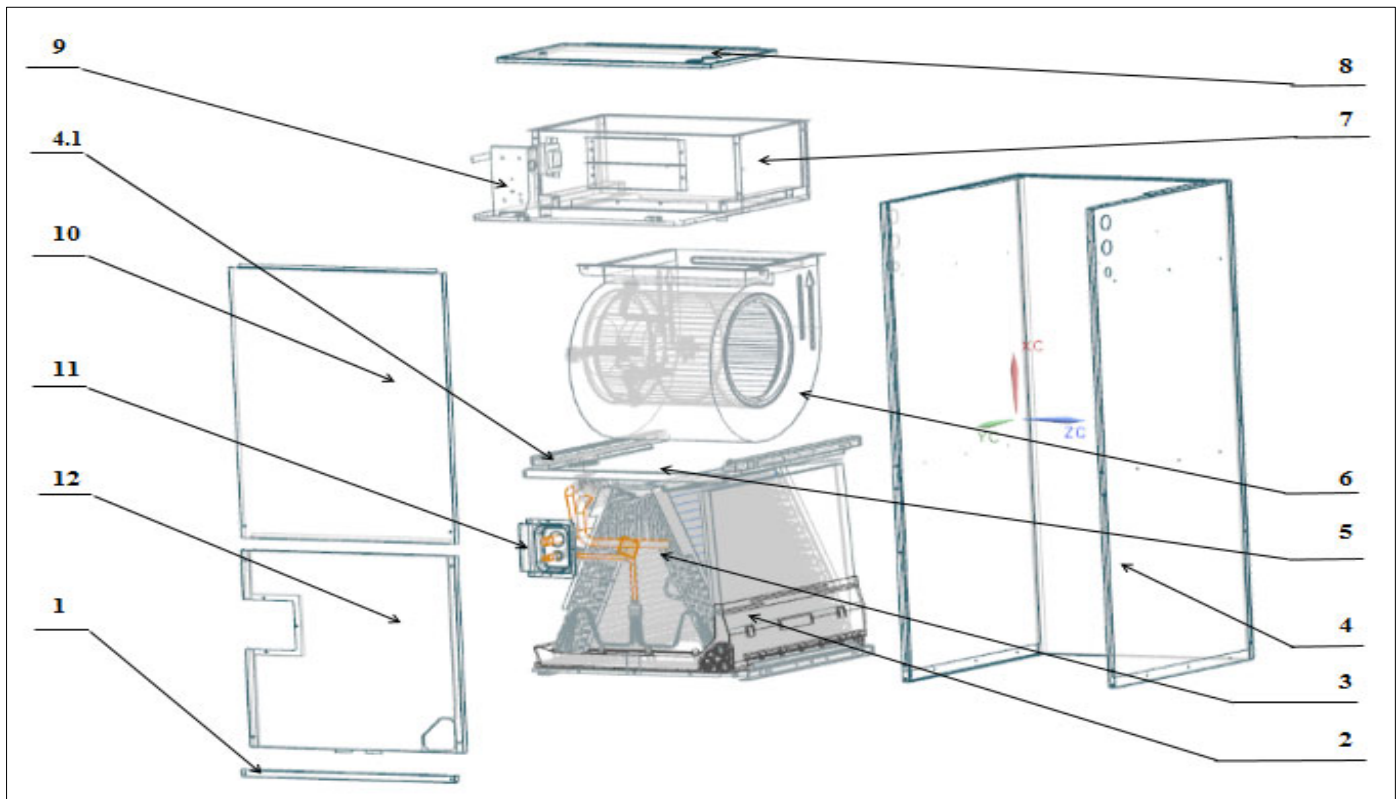


Exploded View

Model LUC4-30-15

ComfortStar®



| EX_ID | Spare Parts Code | Part Name(EN) | Qty. | | |
|-------|------------------|-----------------------|------|--|--|
| 1 | 801233590166 | Filter Cover plate | 1 | | |
| 2.1 | 801134590002 | Water pan# 1 | 1 | | |
| 2.2 | 801234590101 | Water pan# 2 | 1 | | |
| 2.3 | 801234590091 | Water pan fixed block | 1 | | |
| 2.4 | 801234190193 | Water pan brace | 2 | | |
| 3 | 801533590039 | Evaporator parts | 1 | | |
| 3.1 | 801633590033 | Air header Assembly | 1 | | |
| 3.3 | 801535000026 | Evaporator | 2 | | |
| 3.4 | 801239390040 | Evaporator Baffle | 1 | | |

| | | | | | |
|------|--------------|-------------------------------------|---|--|--|
| 3.5 | 801234590095 | Evaporator Water Baffle #1 | 2 | | |
| 3.6 | 801234590096 | Evaporator Water Baffle #2 | 1 | | |
| 3.7 | 801234590097 | Evaporator Water Baffle #3 | 1 | | |
| 3.8 | 801233590141 | Evaporator Fixing Plate #1 | 1 | | |
| 3.9 | 801233590144 | Evaporator Fixing Plate #2 | 1 | | |
| 3.10 | 801233590143 | Evaporator Junction Plate | 1 | | |
| 3.11 | 801633590034 | Diverter assembly with piston valve | 1 | | |
| 3.12 | 801233590165 | Water pan supporter assembly | 4 | | |
| 5 | 801234590090 | Supporter | 2 | | |
| 6.1 | 801200200040 | Right Volute Wind Wheel | 1 | | |
| 6.2 | 802401700430 | Indoor Motor | 1 | | |
| 7 | 801235000004 | Fan Motor Fixing plate assembly | 1 | | |
| 7.1 | 801239390092 | Fan Motor Fixing plate | 1 | | |
| 7.2 | 801234590106 | Wind Wheel Fixed Block | 2 | | |
| 7.3 | 801239390091 | Fixed plate on air duct | 1 | | |
| 7.4 | 801239390036 | Stator | 2 | | |
| 7.5 | 801239390025 | air duct left stationary plate | 1 | | |
| 7.6 | 801239390026 | air duct right stationary plate | 1 | | |
| 8 | 801233590140 | Cover of electric control assy | 1 | | |
| 9 | 803335000006 | Electronic Control Components | 1 | | |
| 9.1 | 801234590202 | Electronic Control Mounting Plate | 1 | | |
| 9.2 | 801343000003 | Main Board | 1 | | |
| 10 | 801233590169 | Upper side plate assembly | 1 | | |
| 11 | 801234590081 | Pipe Cover plate assembly | 1 | | |
| 12 | 801233590138 | Lower side plate assembly | 1 | | |
| 13 | 802311300001 | Transformer | 1 | | |
| 14 | 802300400135 | Temperature sensor | 1 | | |