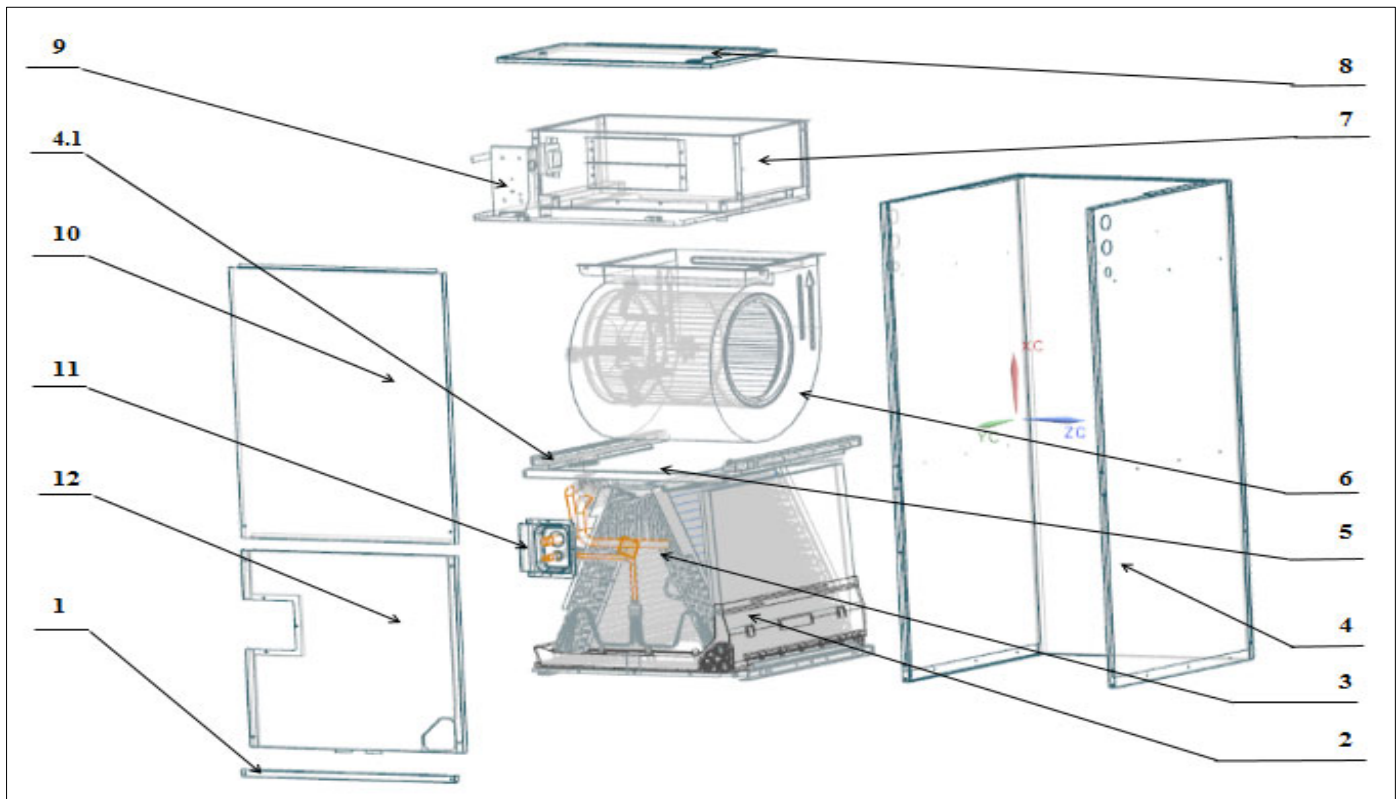


Exploded View

Model LUC4-36-15

ComfortStar®



EX_ID	Spare Parts Code	Part Name(EN)	Qty.		
1	801233590166	Filter Cover plate	1		
2.1	801134590002	Water pan# 1	1		
2.2	801234590101	Water pan# 2	1		
2.3	801234590091	Water pan fixed block	1		
2.4	801234190193	Water pan brace	2		
3	801533590039	Evaporator parts	1		
3.1	801633590033	Air header Assembly	1		
3.3	801535000026	Evaporator	2		
3.4	801239390040	Evaporator Baffle	1		

3.5	801234590095	Evaporator Water Baffle #1	2		
3.6	801234590096	Evaporator Water Baffle #2	1		
3.7	801234590097	Evaporator Water Baffle #3	1		
3.8	801233590141	Evaporator Fixing Plate #1	1		
3.9	801233590144	Evaporator Fixing Plate #2	1		
3.10	801233590143	Evaporator Junction Plate	1		
3.11	801633590034	Diverter assembly with piston valve	1		
3.12	801233590165	Water pan supporter assembly	4		
5	801234590090	Supporter	2		
6.1	801200200040	Right Volute Wind Wheel	1		
6.2	802401700430	Indoor Motor	1		
7	801235000004	Fan Motor Fixing plate assembly	1		
7.1	801239390092	Fan Motor Fixing plate	1		
7.2	801234590106	Wind Wheel Fixed Block	2		
7.3	801239390091	Fixed plate on air duct	1		
7.4	801239390036	Stator	2		
7.5	801239390025	air duct left stationary plate	1		
7.6	801239390026	air duct right stationary plate	1		
8	801233590140	Cover of electric control assy	1		
9	803335000006	Electronic Control Components	1		
9.1	801234590202	Electronic Control Mounting Plate	1		
9.2	801343000003	Main Board	1		
10	801233590169	Upper side plate assembly	1		
11	801234590081	Pipe Cover plate assembly	1		
12	801233590138	Lower side plate assembly	1		
13	802311300001	Transformer	1		
14	802300400135	Temperature sensor	1		